

Project Name:	Type:
Part Number:	Date:



# 6" CLICK WITH PIR SENSOR

## SPECIFICATION FEATURES

- Mechanical – Die cast aluminum heat sink. Polycarbonate lens and trim with integrated PIR sensor. Fixture surface mounts to industry standard 4" junction boxes from below the ceiling.
- Electrical – 120V only, 50/60 Hz driver. Integrated PIR motion sensor turns ON with motion and OFF after 10 minutes of inactivity.
- Optical – 2700K, 3000K, and 4000K color temperatures available. 110° beam angle. Minimum 90CRI with 4-step SDCM. PIR sensor range 16' at 8' mounting height.
- Thermal – Die cast aluminum heat sink. Rated L70 lifetime of 50,000 hours. Ambient temperature rating: -4°F to 95°F (-25°C to 35°C).
- Compliance and Warranty – ETL Listed for WET locations. Energy Star® listed. Air-tight rated JA8 Certified to meet CA Title 24 requirements. Compliant with NFPA® 70, NEC® Section 410.16 (A)(3) and 410.16 (C)(5). 5 year parts warranty for complete fixture.



## BENEFITS

- Fixture integrated PIR motion sensor automatically turns off fixture after 10 minutes of inactivity
- Eliminates the need to external PIR sensor
- Quick and easy installation
- Wet location and Air-tight rated.

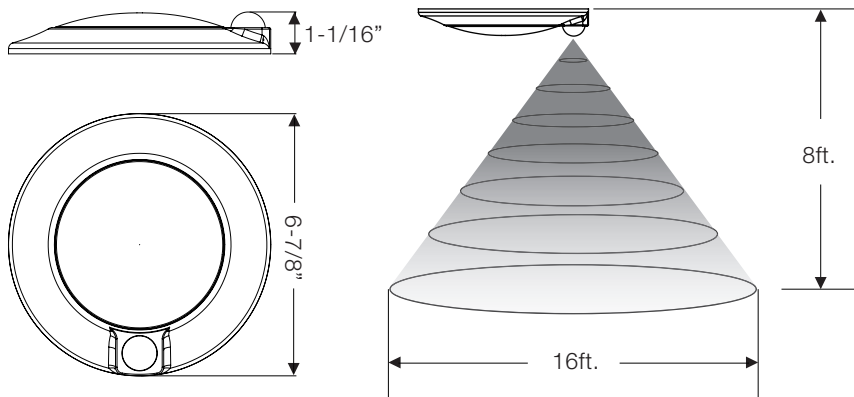
## APPLICATIONS

- Residential, Hospitality, and Commercial new construction and retrofit projects
- Bathrooms, hallways
- Closets, pantries, laundry rooms

## ORDERING INFORMATION

Series	Size	Time Delay	CRI	CCT	Voltage
<input checked="" type="checkbox"/> <b>CLKSEN</b> Click with PIR Motion Sensor - 600lm	<input checked="" type="checkbox"/> <b>6</b> 6"	<input checked="" type="checkbox"/> <b>10MIN</b> 10 Minutes	<input checked="" type="checkbox"/> <b>9</b> CRI 90	<input type="checkbox"/> <b>27</b> 2700K	<input checked="" type="checkbox"/> <b>120V</b> 120V, 50/60Hz
				<input type="checkbox"/> <b>30</b> 3000K	
				<input type="checkbox"/> <b>40</b> 4000K	

## LINE DRAWINGS



- This lamp features PIR On/Off motion sensor
  - Mounting Height: 8ft.
  - Coverage Area: 16ft. (8ft. Radius)
  - Time Delay: 10 min.
- The PIR sensor detects body motion through changes in infrared energy within the coverage area
- Once motion is detected in the area, the lamp will go on automatically for 10min
- After 10min without any motion in the area the lamp will turn off automatically



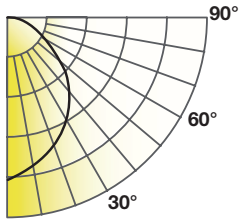
# 6" CLICK WITH PIR SENSOR

## TECHNICAL INFORMATION

Sensor	Input Voltage	Input Frequency	Input Current	Input Power	THD Power	Power Factor
PIR Motion - On/Off - 10 Minutes	120V	50 / 60Hz	92mA	10W	<20%	0.9

## PHOTOMETRY

CLKSEN6/10MIN/930/120V



Lumens: 600 lm  
 Power: 9.7 W  
 Efficacy: 62 lm/W  
 CRI: 90+  
 Spacing Criteria: 1.25  
 Beam Angle: 111°

Candlepower Distribution	
Angle (°)	Average (cd)
0	205
5	204
15	195
25	181
35	160
45	132
55	104
65	70
75	42
85	15
90	6

Initial Footcandles		
Height (ft)	Fc	Diameter (ft)
4	13	13
6	6	20
8	3	27
10	2	33
12	1	40

Zonal Lumen Summary		
Zone	Lumens	%Fixt
0-30	158	26
0-40	258	43
0-60	455	76
0-90	591	99

Performance Data CLKSEN6/10MIN/9xx/120V			
CCT	2700K	3000K	4000K
Lumens	600	600	620
LPW	60	60	62