

| | |
|---------------|-------|
| Project Name: | Type: |
| Part Number: | Date: |

MULTIFIT GIMBAL

SPECIFICATION FEATURES

- Mechanical** - Compact fixture body made from die cast aluminum for maximizing passive cooling ensuring long life lasting LED, non yellowing frosted polycarbonate lens for optimal light diffusion. Proprietary IC-rated potted driver for optimal heat protection, with hot-dip galvanized steel box and easy tool-less opening attached clipping lid. Rugged spring clips allow for both easy direct installation from 3/8" to 1-1/2" ceiling thickness and field accessibility below the ceiling for service or replacement. Additional mounting plates also available if required. Plenum rated cable and connector to connect from downlight to remote driver box. Gimbal tilt to 30°.
- Electrical** -The driver features DualDim technology, for maximum adaptability in any spaces whether it's commercial, residential or mixed. Rated for 120V to 277V, 50/60 Hz the driver is both 0-10V dimmable to 5% with low-end cut off and Forward and Reverse phase dimmable at 120V down to 10%. Please consult dimmer compatibility for additional information. Drivers also feature easy accessible outside switch for selecting the right color temperature. Coming with four 7/8" knockout, and suitable for pulling wires to accommodate up to (6) 12 gauge 90°C insulated conductors, making the MULTIFIT downlights fast and easy to wire in daisy-chain applications and contractor friendly. Sound rating <22db.
- Optical** - Featuring SelectKelvin technology with field selectable CCTs 2700/3000/3500/4000/5000K. LED binning within 4 SDCM maximum. Offered in minimum 90 CRI. 110° optical beam angle. Edge-lite technology for minimizing glare.
- Thermal** - Die cast heat sink maximizes passive thermal management and achieves a L70 calculated lifetime of 100,000 hours. Ambient temperature rated from -5°F to 113°F (-15°C to 45°C).
- Compliance and Warranty** – ETL Listed for wet location. Certified air-tight per ASTM 283-04. Complies with FCC 47CFR Part 15B consumer limits for EMI/RFI emissions. Suitable for use in clothes closets when installed in accordance with the NEC 410.16 spacing requirements. Certified IC for direct contact with insulation. 5 Year Warranty for complete fixture. Optional 10 Year Extended Warranty available, subject to same terms, conditions and installation requirements as standard 5 Year Warranty



060223



BENEFITS

- MULTIFIT provides the easiest retrofitting or new installation dimming compatibility with DualDim technology
- SelectKelvin technology to choose from five color temperatures ranging from 2700K to 5000K
- Install virtually anywhere with Wet Location, IC and Air-tight ratings
- Quick and easy installation with spring action clip even in the shallower plenums
- External driver with quick connector for easy wiring and daisy chain application

APPLICATIONS

- Retail
- Hospitality
- Residential
- Education
- Healthcare

MULTIFIT GIMBAL

ORDERING INFORMATION

ORDERING EXAMPLE:

MGR6/9CCT5S/DUALDIM/EXT

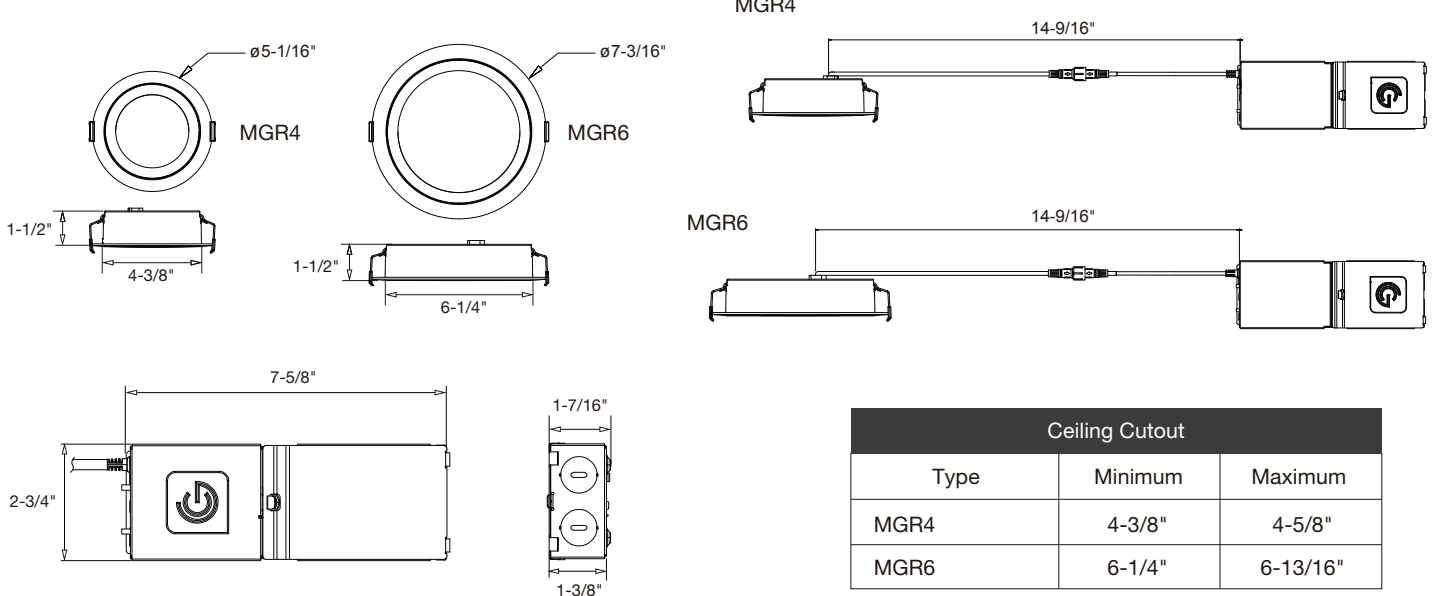
MGR(size) / **(CRI+CCT)** / **(Driver)** / **(Driver Style)**

MULTIFIT GIMBAL

| Model Series | Size | CRI | CCT | Driver | Driver Style |
|-------------------------------------|----------------------|---------------------|--|--|--|
| MGR MULTIFIT Round Gimbal | 4 4" 600lm | 9 CRI 90+ | CCT5S Selectable CCT 2700 / 3000 / 3500 / 4000 / 5000K | DUALDIM 120V-277V, 50/60Hz. 0-10V or Forward/Reverse phase dimming at 120V only. | EXT External Driver box with quick connector |
| | 6 6" 800lm | | | | |

LINE DRAWINGS

MGR



| Ceiling Cutout | | |
|----------------|---------|----------|
| Type | Minimum | Maximum |
| MGR4 | 4-3/8" | 4-5/8" |
| MGR6 | 6-1/4" | 6-13/16" |

TECHNICAL INFORMATION

| Type | Dimming | Input Voltage | Input Frequency | Input Current | Max. Input Power | THD Power | Power Factor | Flicker Index | Sound Rating |
|------|---------------------|---------------|-----------------|---------------|------------------|-----------|--------------|---------------|--------------|
| MGR4 | 0-10V and ELV/TRIAC | 120-277V | 50-60Hz | 0.06 / 0.04A | 8W | <20% | >0.9 | <30% | <22db |
| MGR6 | | | | 0.08 / 0.04A | 10W | | | | |

NOMINAL PERFORMANCE

| CCT | 2700K | | | 3000K | | | 3500K | | | 4000K | | | 5000K | | |
|------|-------|--------|----------|-------|--------|----------|-------|--------|----------|-------|--------|----------|-------|--------|----------|
| | Power | Lumens | Efficacy | Power | Lumens | Efficacy | Power | Lumens | Efficacy | Power | Lumens | Efficacy | Power | Lumens | Efficacy |
| MGR4 | 8.2W | 596lm | 73LPW | 8.3W | 620lm | 74LPW | 8.2W | 640lm | 78LPW | 8.2W | 646lm | 78LPW | 8.2W | 634lm | 78LPW |
| MGR6 | 10.0W | 845lm | 84LPW | 10.1W | 866lm | 86LPW | 10.0W | 893lm | 89LPW | 10.0W | 907lm | 91LPW | 9.9W | 910lm | 92LPW |



MULTIFIT GIMBAL

| ACCESSORY ORDERING INFORMATION | | | | |
|--------------------------------|-------------------|--|----------|---|
| Product | Model | Description | Pictures | Dimensions |
| 35121 | NCFJB4 | Round New Construction Frame w/ Jbox 4" | | |
| 35122 | NCFJB6 | Round New Construction Frame w/ Jbox 6" | | |
| 98502 | NCPLATE468 | 4" & 6" MULTIFIT EXT Series New Construction Plate for Stud/Joist Mounting | | A: Ø4-5/16" B: Ø8-1/16" C: Ø6-5/16" |
| 98501 | NCPLATE/T4689 | New Construction or Remodel Plate for T-Grid Ceilings | | A: Ø4-5/16" B: Ø6-5/16" C: Ø8-1/16" D: Ø9" |
| 98568 | GOOFRING6 | 6" Goof Ring - Outer Diameter 10-1/2" | | Ø10-1/2" Ø6-5/16" |
| 98003 | 23EMDRIVER | California Title 20 Compliant 23W Emergency LED Driver (Field Installation) | | 10-7/16" 2-3/16" 10-7/16" 2-1/4" 24-3/8" 24-3/8" |
| FHUPS1-UNV-25L-SD | FHUPS1-UNV-25L-SD | 25W Emergency Micro Inverter for field installation to use with 0-10V Driver options. 100-277VAC (up to 150W with use of 0-10V dimming). CEC Compliant | | 15-5/16" 32-5/16" 2-7/8" 1-1/2" |

ORDERING GUIDE

| Product | Model | Case Quantity |
|---------|-------------------------|---------------|
| 37003 | MGR4/9CCT5S/DUALDIM/EXT | 12pcs |
| 37004 | MGR6/9CCT5S/DUALDIM/EXT | 12pcs |

CERTIFICATION INFORMATION

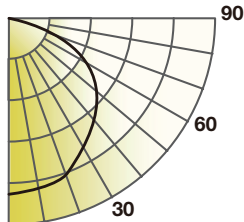
| Product | Model | ES ID# |
|---------|-------------------------|---------|
| 37003 | MGR4/9CCT5S/DUALDIM/EXT | 2403582 |
| 37004 | MGR6/9CCT5S/DUALDIM/EXT | 2403588 |



MULTIFIT GIMBAL

PHOTOMETRY

MGR4/9CCT5S/DUALDIM/EXT (at 3500K)



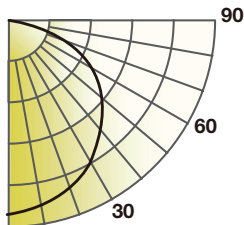
Lumens: 604 lm
CBCP: 220 cd
Power: 7.5 W
Efficacy: 82 lm/W
CRI: 92
Spacing Criteria: 1.2
Beam Angle: 111°

| Candlepower Distribution | |
|--------------------------|--------------|
| Angle (°) | Average (cd) |
| 10 | 214 |
| 20 | 202 |
| 30 | 182 |
| 40 | 157 |
| 50 | 127 |
| 60 | 94 |
| 70 | 57 |
| 80 | 18 |
| 90 | 0 |

| Initial Footcandles | | |
|---------------------|----|---------------|
| Height (ft) | Fc | Diameter (ft) |
| 10 | 3 | 29 |
| 20 | 1 | 58 |
| 30 | 0 | 86 |
| 40 | 0 | 115 |
| 50 | 0 | 144 |
| 60 | 0 | 173 |
| 70 | 0 | 202 |
| 80 | 0 | 231 |
| 90 | 0 | 259 |

| Zonal Lumen Summary | | |
|---------------------|--------|-------|
| Zone | Lumens | %Fixt |
| 0-30 | 169 | 28 |
| 0-40 | 276 | 46 |
| 0-60 | 485 | 80 |
| 0-90 | 604 | 100 |

MGR6/9CCT5S/DUALDIM/EXT (at 3500K)



Lumens: 914 lm
CBCP: 332 cd
Power: 10 W
Efficacy: 92 lm/W
CRI: 92
Spacing Criteria: 1.2
Beam Angle: 110°

| Candlepower Distribution | |
|--------------------------|--------------|
| Angle (°) | Average (cd) |
| 10 | 325 |
| 20 | 306 |
| 30 | 277 |
| 40 | 237 |
| 50 | 191 |
| 60 | 140 |
| 70 | 85 |
| 80 | 31 |
| 90 | 0 |

| Initial Footcandles | | |
|---------------------|----|---------------|
| Height (ft) | Fc | Diameter (ft) |
| 8 | 8 | 23 |
| 10 | 5 | 29 |
| 12 | 3 | 34 |
| 15 | 2 | 43 |
| 20 | 1 | 57 |

| Zonal Lumen Summary | | |
|---------------------|--------|-------|
| Zone | Lumens | %Fixt |
| 0-30 | 255 | 28 |
| 0-40 | 416 | 46 |
| 0-60 | 731 | 80 |
| 0-90 | 914 | 100 |

Note: All rights reserved. All sizes and specifications are subject to change at any time without notice.