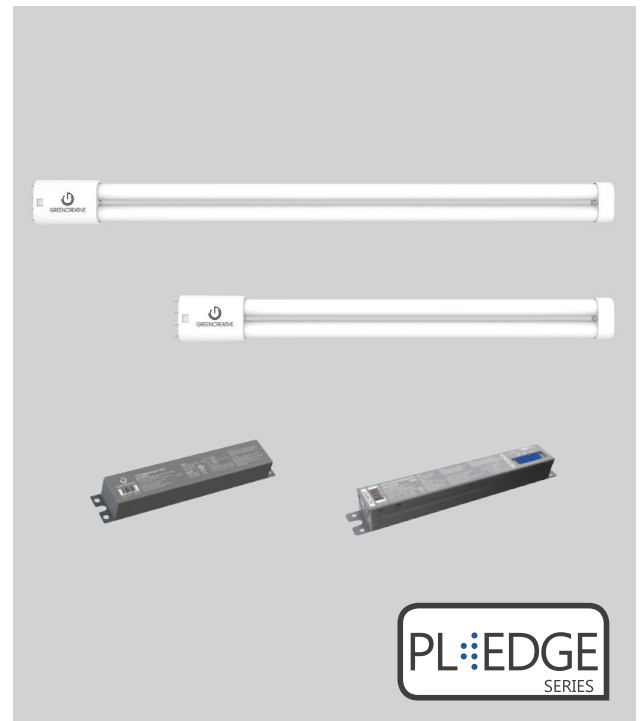


Project Name:	Type:
Part Number:	Date:

External Driver PLL

FEATURES

- Replaces 36W / 40W 4-pin (2G11) CFL lamps
- Compatible with GREEN CREATIVE external drivers only
- Flicker Free (percent flicker and flicker index are less than three percent)
- High efficacy up to 157 LPW
- Opaque glass eliminates pixilation and reduces glare
- Plastic film prevents glass from shattering
- Field select from three lumen outputs using SelectDrive driver
- 0-10V dimming* - dims to OFF with SelectDrive driver, dims to 10% with single wattage driver
- Suitable for use in totally enclosed fixtures and damp locations
- Fixture operating temperature: -4°F to 95°F (-20°C to 35°C)
- Lamp ambient temperature: -4°F to 113°F (-20°C to 45°C)
- Rated lifetime (L70): 60,000hrs
- 5 year limited warranty** / 10 year available (see EXTENDED WARRANTIES table for information)



022822



SPECIFICATIONS

Product	Model	Equiv.	Input Voltage	Wattage	Lumens	CCT	CRI	Efficacy (LPW)	Beam Angle	Power Factor	THD	DIM.*	Fixture Rating	DLC
36704	13PLL/835/EXT	36W	120-277V	13	1,800	3500K	82	138	110°	0.9	<20%	Yes	Enclosed	N.A.
36705	13PLL/840/EXT	36W	120-277V	13	2,000	4000K	82	154	110°	0.9	<20%	Yes	Enclosed	N.A.
36707	14PLL/835/EXT	40W	120-277V	14	2,000	3500K	82	143	140°	0.9	<20%	Yes	Enclosed	√
36708	14PLL/840/EXT	40W	120-277V	14	2,200	4000K	82	157	140°	0.9	<20%	Yes	Enclosed	√
36710	19PLL/835/EXT	40W	120-277V	19	2,600	3500K	82	137	140°	0.9	<20%	Yes	Enclosed	√
36711	19PLL/840/EXT	40W	120-277V	19	2,800	4000K	82	147	140°	0.9	<20%	Yes	Enclosed	√

* This lamp might not be compatible with all dimmers. Please visit www.greencreative.com for compatibility information.

** Please visit www.greencreative.com for Limited Warranty terms

COMPATIBILITY TABLE - LAMP & DRIVER

Model	15T8T5HEDRIVER/SD/2CH 15T8T5HEDRIVER/2CH/R	15T8T5HEDRIVER/SD/4CH 15T8T5HEDRIVER/4CH/R	24T5HODRIVER/2CH/R	24T5HODRIVER/4CH/R
13PLL/xxx/EXT	1 lamp / 2 lamps	1 lamp / 2 lamps / 3 lamps / 4 lamps	N.A.	N.A.
14PLL/xxx/EXT	1 lamp / 2 lamps	1 lamp / 2 lamps / 3 lamps / 4 lamps	N.A.	N.A.
19PLL/xxx/EXT	N.A.	N.A.	1 lamp / 2 lamps	1 lamp / 2 lamps / 3 lamps / 4 lamps

Where xxx means 824-965 which indicates CRI and color temperature.

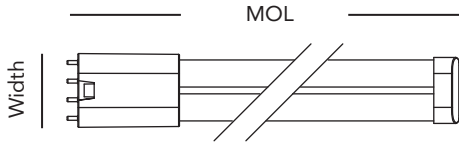
LAMP & SelectDrive EXTERNAL DRIVER LUMEN OUTPUT GUIDE

Product	Model	Lamp & Driver system lumen output					
		15T8T5HEDRIVER/SD/2CH		15T8T5HEDRIVER/SD/4CH			
		Low (Power)	Low (lumens)	Med (Power)	Med (lumens)	High (Power)	High (lumens)
36704	13PLL/835/EXT	8.8	1,200	10.5	1,450	13	1,800
36705	13PLL/840/EXT	8.8	1,300	10.5	1,600	13	2,000
36707	14PLL/835/EXT	9.4	1,300	11.2	1,600	14	2,000
36708	14PLL/840/EXT	9.4	1,450	11.2	1,750	14	2,200



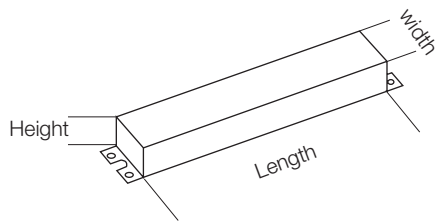
External Driver PLL

DIMENSION & WEIGHT



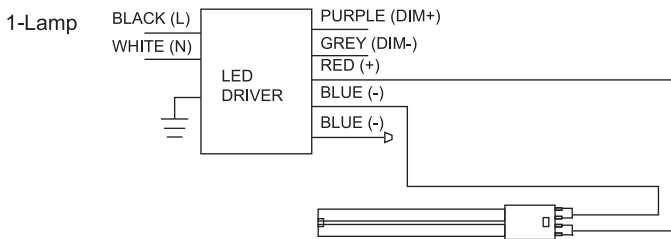
Model	13PLL/xxx/EXT	14PLL/xxx/EXT	19PLL/xxx/EXT
Base	2G11	2G11	2G11
MOL	16-7/16"	22-1/2"	22-1/2"
Width	1-11/16"	1-11/16"	1-11/16"
Weight	0.30 lb	0.37 lb	0.37lb

Where xxx means 824-965 which indicates CRI and color temperature.

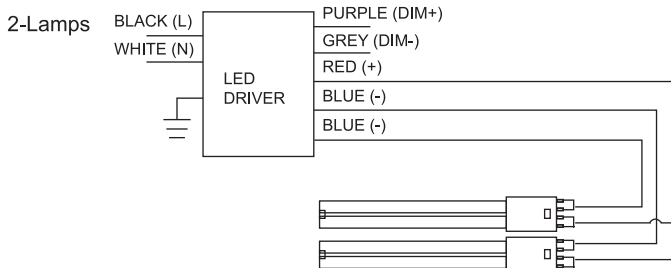
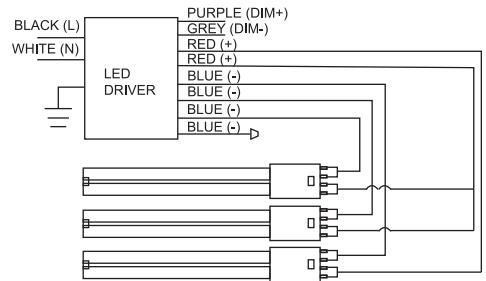


Product	Model	Length	Width	Height	Weight
98259	15T8T5HEDRIVER/2CH/R	9-1/2"	1-5/16"	1-3/16"	1.0 lb
98260	15T8T5HEDRIVER/4CH/R				
35896	15T8T5HEDRIVER/SD/2CH				
35897	15T8T5HEDRIVER/SD/4CH				
98261	24T5HODRIVER/2CH/R	9-1/2"	1-3/4"	1-3/16"	1.4 lb
98262	24T5HODRIVER/4CH/R				

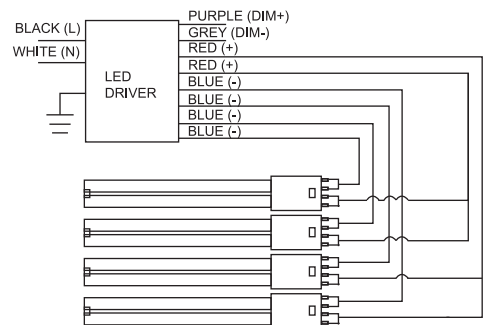
INSTALLATION



3-Lamps



4-Lamps

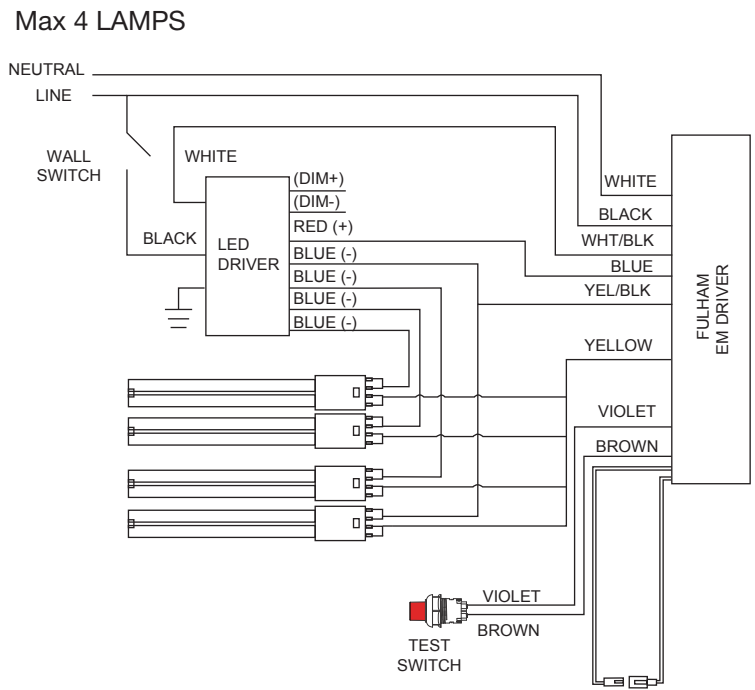




External Driver PLL

ACCESSORY ORDERING INFORMATION				
Product	Model	Description	Picture	Dimension
35797	FU10W/T5T8/EXT/EMDRIVER	FHSCP-UNV-10.7WL		
35798	FU13W/T5T8/EXT/EMDRIVER	FHSCP-UNV-13.7WL		
35799	FU17W/T5T8/EXT/EMDRIVER	FHSCP-UNV-17WL		

FULHAM EMERGENCY DRIVER INSTALLATION



COMPATIBILITY WITH FULHAM EMERGENCY DRIVER

Type	Model No	FULHAM EM DRIVER		
		Lumen output level at EM mode		
		FHSCP-UNV-10.7WL	FHSCP-UNV-13.7WL	FHSCP-UNV-17WL
PLL	13PLL/8XX/EXT	87%	109%	135%
	14PLL/8XX/EXT	79%	100%	124%
	19PLL/8XX/EXT	62%	77%	96%

** xx – Refers to the CCT



External Driver PLL

EXTENDED WARRANTIES**

Model	Description***
13PLL/EXT/10YEARWARRANTY	10 Year warranty for 13PLL/8xx/EXT
14PLL/EXT/10YEARWARRANTY	10 Year warranty for 14PLL/8xx/EXT
19PLL/EXT/10YEARWARRANTY	10 Year warranty for 19PLL/8xx/EXT

** Warranty based on a maximum of 4,368 annual operating hours (per year for ten years) and exposure to a maximum fixture operating temperature of 80°F / 27°C.

*** xx – Refers to the CCT yy – Refers to model generations within the same nominal performance. Typically blank, 'R', or 'RC'

DLC KITS REFERENCES

Model No. (DLC)	Lamp Model	Lamp Qty	External Driver Model	DLC Product ID
14PLL/835/EXT/A2/R	36707 14PLL/835/EXT	2	98259 15T8T5HEDRIVER/2CH/R	S-C3T2GF
14PLL/835/EXT/SD/A2			35896 15T8T5HEDRIVER/SD/2CH	PM6ZV7JJ
14PLL/835/EXT/A3/R		3	98260 15T8T5HEDRIVER/4CH/R	S-401BY6
14PLL/835/EXT/SD/A3			35897 15T8T5HEDRIVER/SD/4CH	PIIW8SF8
14PLL/840/EXT/A2/R	36708 14PLL/840/EXT	2	98259 15T8T5HEDRIVER/2CH/R	S-9TR6E5
14PLL/840/EXT/SD/A2			35896 15T8T5HEDRIVER/SD/2CH	PI76P6D9
14PLL/840/EXT/SD/A3		3	35897 15T8T5HEDRIVER/SD/4CH	PFCWFMNW
14PLL/840/EXT/A3/R			98260 15T8T5HEDRIVER/4CH/R	S-4RA78I
19PLL/835/EXT/A2/R	36710 19PLL/835/EXT	2	98261 24T5HODRIVER/2CH/R	S-017W6L
19PLL/835/EXT/A3/R		3	98262 24T5HODRIVER/4CH/R	S-S9T24R
19PLL/840/EXT/A2/R	36711 19PLL/840/EXT	2	98261 24T5HODRIVER/2CH/R	S-0JDNLU
19PLL/840/EXT/A3/R		3	98262 24T5HODRIVER/4CH/R	S-PUIN1R

Note: All rights reserved. All sizes and specifications are subject to change at any time without notice.