

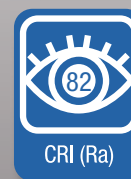
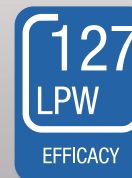
# TROFFER 26W HE 1X4' TITANIUM LED SERIES



PRO



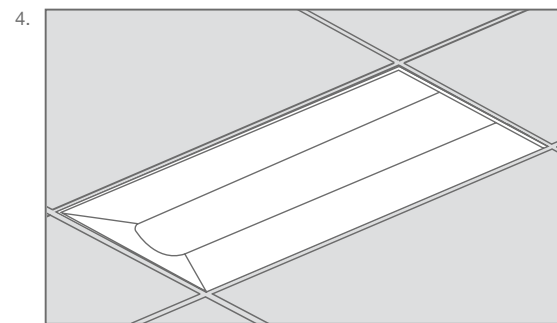
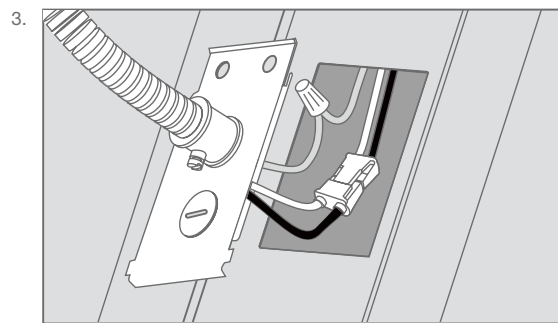
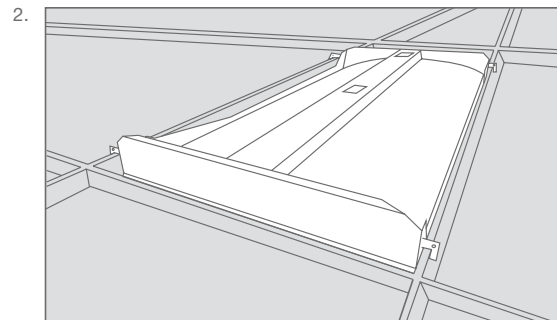
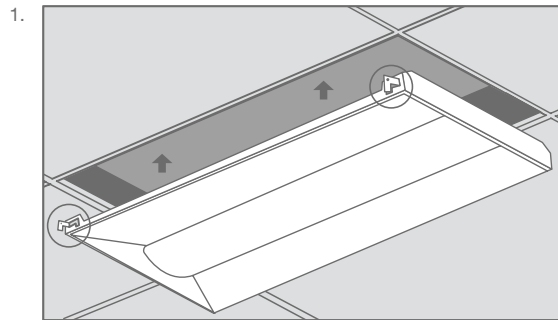
- ⌚ Exceptional efficacy 127LPW in Cool White CCT
- ⌚ High performance lighting distribution and low glare lens
- ⌚ 120-277V circuit and 0-10V dimming control compatible
- ⌚ Modern look and high quality architectural finish
- ⌚ Easy installation for new construction or retrofit
- ⌚ Extra long 100,000 hour lifetime



## EFFICIENCY AT WORK



## INSTALLATION GUIDE



### TROFFER INSTALLATION

- Step 1.** Make sure the **POWER IS TURNED OFF** at the source to the location at which you are installing the product.
- Step 2.** Remove existing troffer if applicable.
- Step 3.** Pull L tabs out on each corner. (fig. 1)
- Step 4.** Place troffer in ceiling making sure each L tab is securely hooked on T-bar grid. (fig. 1 & fig. 2)

- Step 5.** Remove power conduit plate. Insert power supply into power conduit plate using appropriate electrical fittings. (fig. 3)
- Step 6.** Return power back to the source and installation is complete. (fig. 4)

## SPECIFICATIONS

Product	97939	97940
Model	26TROF14DIM/835/277V	26TROF14DIM/840/277V
Type	1x4' Troffer	1x4' Troffer
Power (W)	26	26
Voltage - Frequency	120-277V 50-60Hz	120-277V 50-60Hz
Color Temp. (ANSI)	Neutral White 3500K	Cool White 4000K
CRI (Ra)	82	82
Typical lumens (lm)	3250	3300
Efficacy (LPW)	125	127
Beam Angle	120°	120°
Dimmable	Yes	Yes
Power Factor	0.9	0.9
THD	<20%	<20%
Rated Lifetime - L85 (hrs.)	100,000	100,000
Rated Lifetime - L90 (hrs.)	36,000	36,000
L x W x H	47.71"x11.73"x3.35" (1212x298x85mm)	47.71"x11.73"x3.35" (1212x298x85mm)
Weight (lb. / g)	11.22lb./5.10kg	11.22lb./5.10kg

\* Suitable for damp locations. Not for use where directly exposed to the weather or water

## ORDERING INFORMATION

Model	Description	Instructions
<b>/STEPDIM</b>	Step Dimming Module 50/50	To order this option add /STEPDIM after the model number
<b>/EM</b>	Emergency LED Driver 10W	To order this option add /EM after the model number

**Example: 26TROF14DIM/835/277V/STEPDIM**

**Note: To order the emergency LED driver and step dimming module add both: ex. 26TROF14DIM/835/277V/STEPDIM/EM**