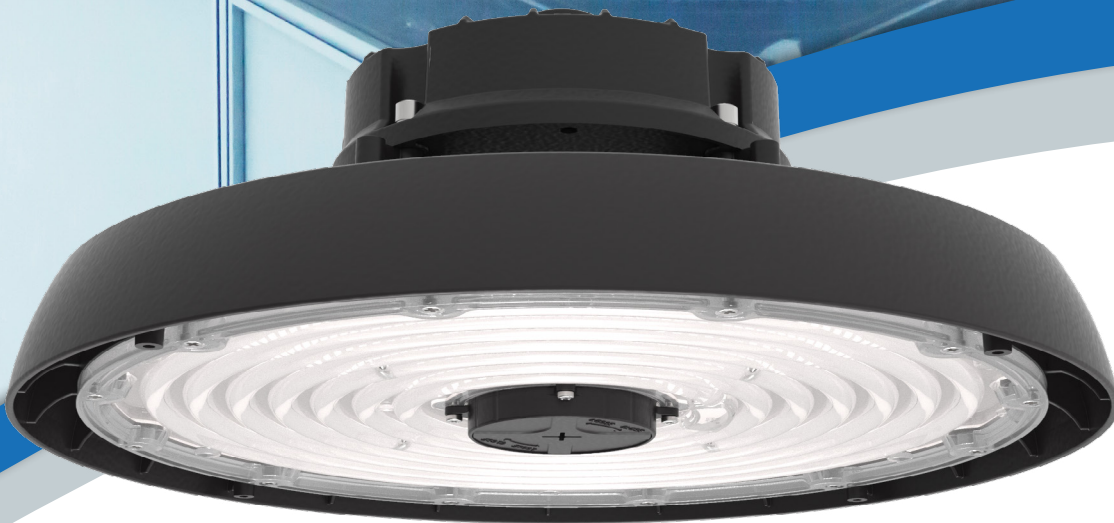


RB4

ROUND HIGH BAY



LUMEN 
SELECTABLE

CCT 
SELECTABLE

ELEVATE VERSATILITY



FEATURES

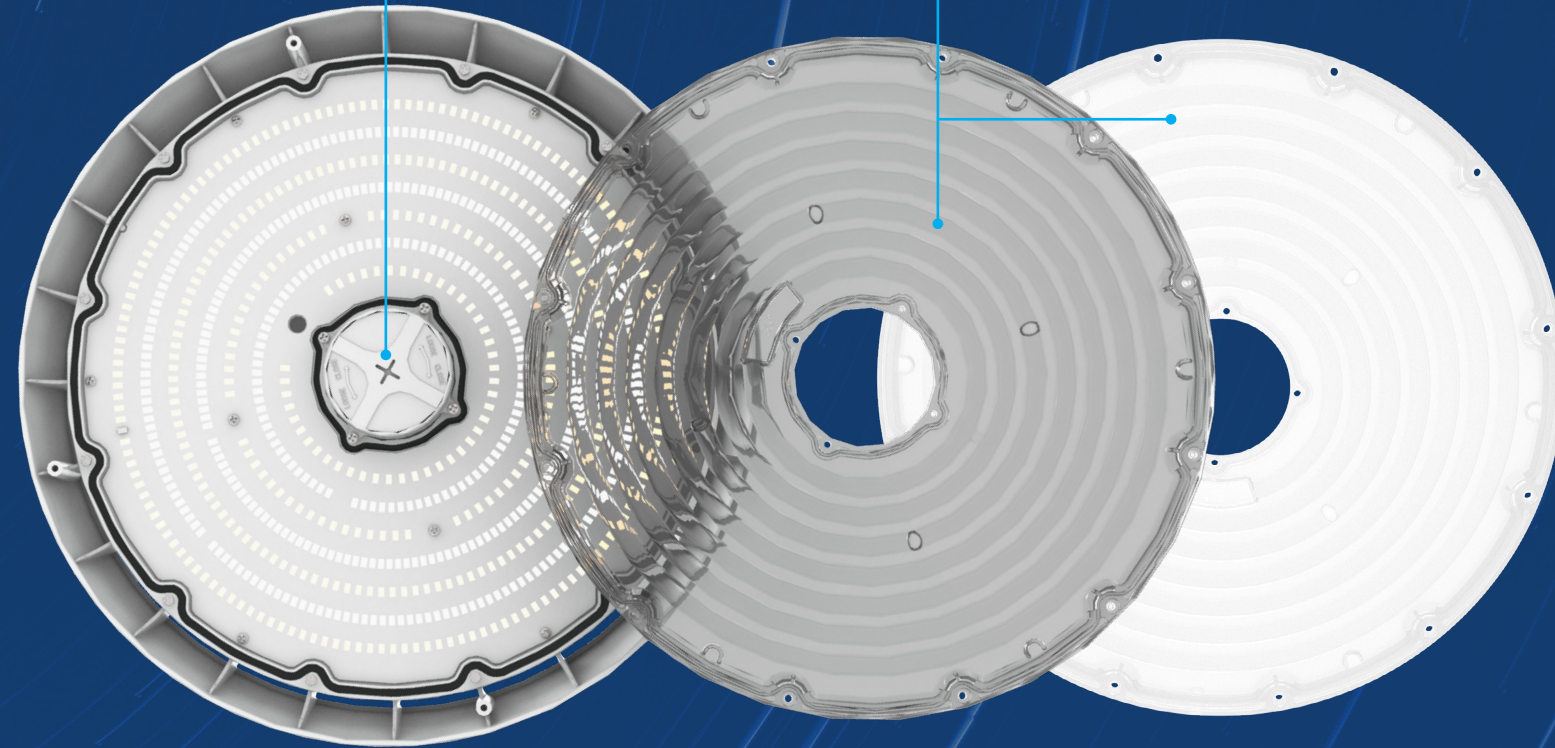
OPTIONAL PENDANT MOUNT
NOW AVAILABLE



3500K, 4000K and 5000K CCT Selectable
via Center Selector

**IK10
RATING**

IK10 impact rated primary polycarbonate lens
- Clear (standard)
- Frosted (optional)



IP65 Rated and NSF Listed
Round High Bay

14,000 – 34,000 Lumens with
lumen selectable options

0-10V Dimmable Driver (100% - 10%)

Calculated L70 >100,000 Hours
at 25°C per TM-21-11

Ambient Temperature Range -40°F - 122°F

>80 Color Rendering Index (CRI)

White or Black powder-coated
cold-forged aluminum housing

Up to 165 LPW

6kV Surge Protection



120 - 277V Universal Voltage

Damp and Wet Location 347/480V
& Emergency Options

- 5 Year Warranty (standard)
- 10 Year Warranty (optional)



NSF RATED LUMINAIRE

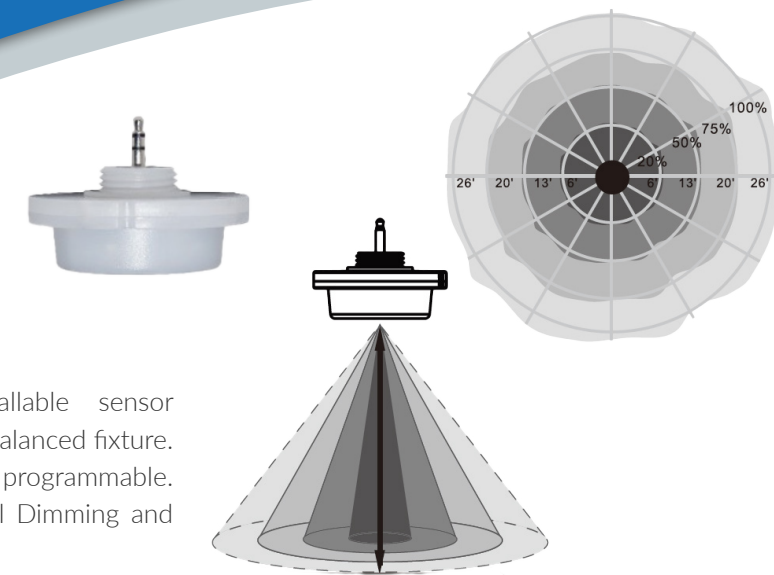
NSF certified luminaires are certified by NSF International (formerly known as National Sanitation Foundation) to be used in a food preparation facility. NSF certified fixtures must be capable of being easily cleaned and include design features which minimize areas where bacteria can grow.



Plug-n-Play Center Mounted
Sensor Option

PLUG-N-PLAY SENSOR

The optional center-mounted field-installable sensor provides a clean appearance and ensures a balanced fixture. The sensor plugs in via 3.5MM jack and is field programmable. Sensor operations include: On/Off, Bi-Level Dimming and Daylight Harvesting.



Mix and Match Up to 24 Different Lens and Diffuser Configurations

CLR
Clear Lens



FRL
Frosted Lens



AD
16" Frosted Shallow Acrylic Diffuser



DAD
16" Frosted Deep Acrylic Diffuser



REFL
16" Aluminum Reflector



AD CL16
Frosted Conical Bottom Lens
(Shown with 16" AD Frosted Diffuser)



Conical Bottom Lens Available on AD, DAD, & REFL



HV & BATTERY BACKUP OPTIONS

RB4 includes a 347-480V High Voltage Driver option as well as a 25W Battery Backup option that is perfect for damp locations.



TWO SLEEK FINISHES

Unlike the RB4s predecessor, both white and black finishes are available in order to closer suit your project needs.

CCT AND LUMEN SELECTABLE WITHOUT SACRIFICING DESIGN

The alternating CCTs within the LED rows allow for a more uniform and attractive design when it comes to customizing the luminaire, giving more flexibility within your project parameters.

Competitor Appearance



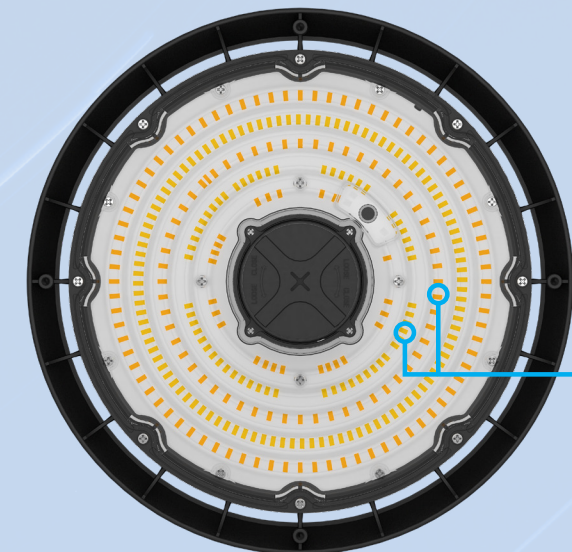
Triangular-Shaped LED Placement Creating Dead Zones



LUMEN
SELECTABLE

CCT
SELECTABLE

RB4



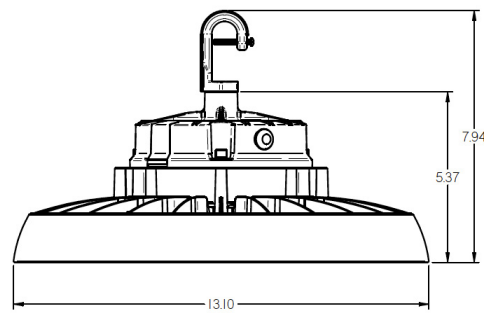
Alternating CCT LED Rows (More Uniform)

ENDLESS OPTIONS

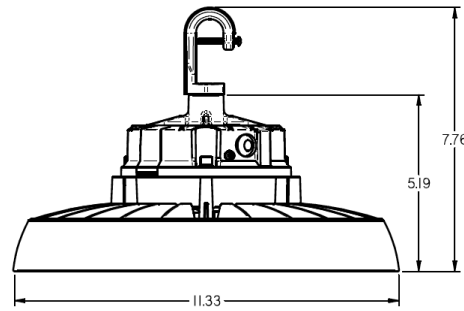
SPECIFICS

DIMENSIONS

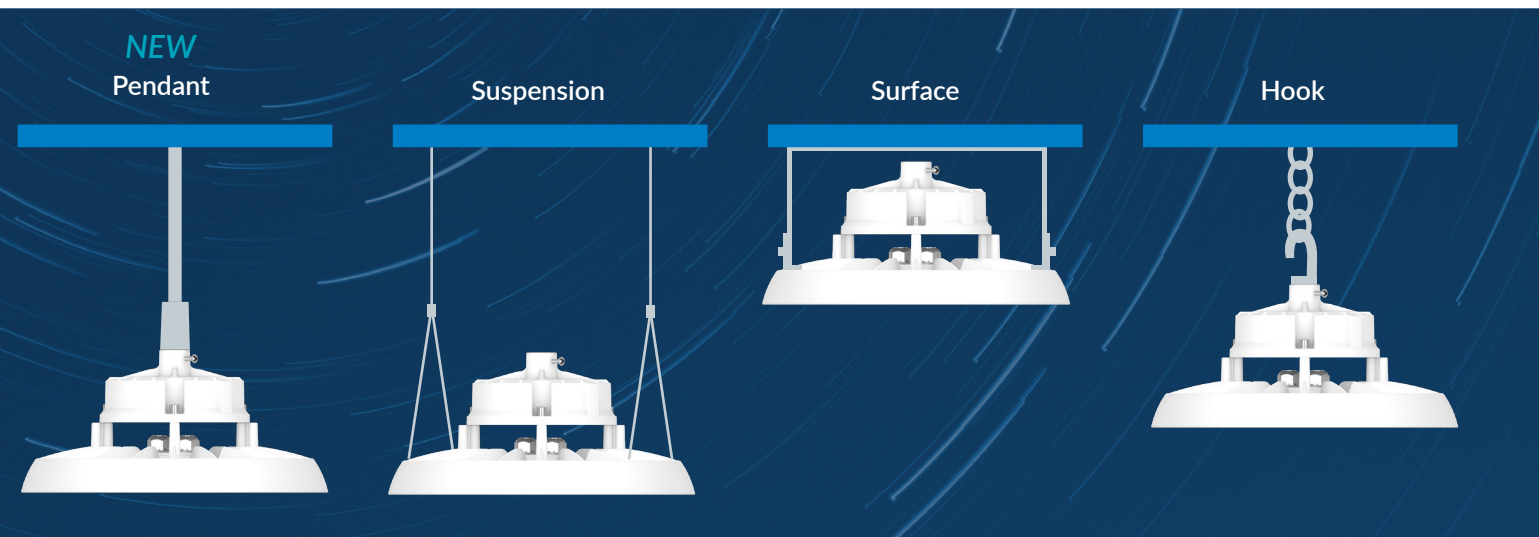
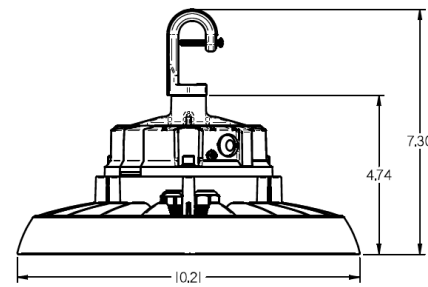
28L, 34L, and 14L/21L/28L Side View



21L Side View



14L Side View



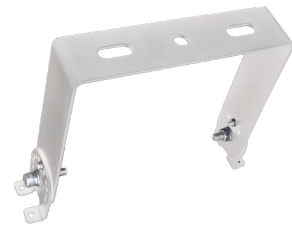
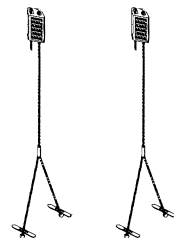
NEW

Pendant

Suspension

Surface

Hook



MOUNTING METHODS

RB4 offers peak product versatility, with multiple mounting methods to fit your specific project needs. Mounting options include a pendant mount, suspension mount, surface mount and hook mount, and help you achieve the desired look and feel of your space.

EXPANDED CAPABILITIES

Better than its predecessor, the RB4 has an expanded offering of capabilities while remaining at a competitive price point.

4 Generations of Innovation



	RB3 (Existing Offering)	RB4
HOUSING		
Finish	White	White & Black
LUMENS		
Lumen Range	13,000 - 31,000 lms	14,000 - 34,000 lms
Lumen Selectable	No	Yes
CCTs	4000K, 5000K Dedicated	3500K, 4000K, 5000K CCT Selectable
Efficacy (up to)	136 lm/W	165 lm/W
Lens/Shielding Configurations	8	24
ELECTRICAL/MECHANICAL		
Junction/FMB for Pendant Mounting	Required	Not Required
CONTROLS		
Controls Ready	No	Plug-n-Play (Field Upgradeable)
PRICING		
Battery Backup Price	Expensive	Optimized
Fixture Price	Up to 45% Reduction	



*Optional

RB4

ROUND HIGH BAY

ELEVATE VERSATILITY

