

Project Name:

Part Number:

Type:

RB4**ROUND HIGH BAY****FEATURES**

- IP65 Rated & NSF Listed Round High Bay
- 14,000 – 34,000 Lumens with lumen selectable options
- 3500K, 4000K & 5000K CCT Selectable via Center Selector
- White or Black Powder coated die-cast aluminum housing
- Plug & Play Center Mounted Sensor Option
- IK10 impact rated primary polycarbonate lens
 - Clear (std.)
 - Frosted (optional)
- Optional Diffusers
 - 16" Shallow Frosted Acrylic
 - 16" Deep Frosted Acrylic
 - 16" Unfinished or Powdercoat Aluminum Reflector
- 6ft Cord (std.)
- Mounting Options
 - Cable
 - Hook (std.)
 - Pendant (3/4" Hub with PEN Option)
 - Surface Mount
- Damp & Wet Location 347/480V & Emergency Options
- 120-277V Universal Voltage (std.)
- 6kV Surge Protection
- 0-10V Dimmable with Sensor (100% - 10%)
- >80 Color Rendering Index (CRI)
- Calculated L70 >100,000 Hours @ 25°C per TM-21-11
- Ambient Temperature Range -40°F-122°F
- 5 Year Warranty (std); 10 Year Warranty Optional
- ETL Listed for Damp and Wet Locations



407-478-3759
www.ilp-inc.com

**SUITABLE APPLICATIONS**

- Food Processing
- Warehouses
- Distribution Centers
- Wet Locations
- Gymnasiums
- Manufacturing Plants

**ORDERING GUIDE:**

SERIES	LUMENS	DRIVER	CCT	FINISH	PRIMARY LENS	NSF	WARRANTY
RB4	14L/21L/28L	U 120-277V	CCTS 35/40/50	WHT White	BLANK Clear Lens (included)	BLANK No NSF Listing	BLANK 5 Year
Round	14L	HV/D 347-480V ^{1,3,9}	CCT Selectable	BLK Black	FRL Frosted Lens	NSF NSF Listed	10YR² 10 Year
High Bay	21L	HV/W 347-480V ^{1,4,9}					
	28L						
	34L						

FACTORY INSTALLED OPTIONS

- CORD/xxFT/L7-15P³** Cord with L7-15 Plug (xx=Length; 6, 10, 15, 20)
- CORD/xxFT** Cord (xx=Length; 10, 15, 20)
- EM/D^{1,3,5,9}** 25W Battery Backup for Damp Locations
- EM/W^{1,4,5,9}** 25W Battery Backup for Wet Locations

SHIP WITH DIFFUSERS/SHIELDING

- +RB4-AD-14L-21L** 16" Shallow Acrylic Diffuser (14L or 21L)
- +RB4-AD-LGL** 16" Shallow Acrylic Diffuser (28L, 14L/21L/28L, or 34L)
- +RB4-REFL-14L^{8, 13}** 16" Aluminum Reflector (14L)
- +RB4-REFL-LGL^{8, 13}** 16" Aluminum Reflector (21L, 28L, 14L/21L/28L, or 34L)
- +RB4-REFL/xxx-14L^{8, 13}** 16" Aluminum Reflector (14L) (xxx = Finish; BLK or WHT)
- +RB4-REFL/xxx-LGL^{8, 13}** 16" Aluminum Reflector (21L, 28L, 14L/21L/28L, or 34L) (xxx = Finish; BLK or WHT)
- +RB4-DAD-14L-21L** 16" Deep Acrylic Diffuser (14L or 21L)
- +RB4-DAD-LGL** 16" Deep Acrylic Diffuser (28L, 14L/21L/28L, or 34L)
- +RB4-WC^{7,12,13}** 16" Wire Cage
- +RB4-WC/FULL^{8,12,13}** Full Wire Cage of Diffuser/REFL and Optional Conical
- +RB4-CL16¹⁰** 16" Frosted Conical Bottom Lens

SHIP WITH ACCESSORIES

- +RB4-HB5** 5ft Aircraft Cable Suspension Kit
- +RB4-HB10** 10ft Aircraft Cable Suspension Kit
- +RB4-HB5-SS** 5ft Stainless Aircraft Cable Suspension Kit
- +RB4-HB10-SS** 10ft Stainless Aircraft Cable Suspension Kit
- +RB4-SMB/xxx** Surface Mount Bracket (xxx=Finish;WHT or BLK)
- +RB4-RED1/2¹¹** 1/2" Pendant Adapter
- +RB4-PEN/xxx** 3/4" Pendant Mounting Kit (xxx=Finish;WHT or BLK)
- +RB4/S/KIT^{6,13}** Field Installable Microwave Sensor
- +RB4-S/RC** Remote Control for Sensor (1 needed per site)

¹ Only available with Lumen Selectable and 34L models. See line drawing on page 5

² Contact Factory for more details

³ Does Not Maintain IP Rating

⁴ Option maintains IP65 Rating and NSF Listing

⁵ Not Available with HV Drivers

⁶ Requires +RB4-S/RC for alternate programming of sensor (1 needed per site)

⁷ Cannot be used with CL option

⁸ Long lead time item, please consult factory

⁹ Not available with HB5 or HB10; Requires PEN/xxx for pendant mounting

¹⁰ Must be used with AD, REFL, or DAD accessories

¹¹ Must be used with +RB4-PEN/xxx Option

¹² WC and WC/FULL does not qualify for NSF

¹³ Sensor cannot be used with REFL and WC options



ROUND HIGH BAY



QUICK SHIP ITEMS:

SERIES	LUMENS	DRIVER	CCTS	FINISH	NSF	WARRANTY
RB4 Round High Bay	14L/21L/28L 14L 21L 28L 34L	U 120-277V	CCTS 35/40/50 CCT Selectable	WHT White BLK Black	BLANK No NSF Listing NSF NSF Listed	BLANK 5 Year 10 YR ¹ 10 Year

SHIP WITH ACCESSORIES

- +RB4-AD-14L-21L 16" Shallow Acrylic Diffuser (14L or 21L)
- +RB4-AD-LGL 16" Shallow Acrylic Diffuser (28L, 14L/21L/28L, or 34L)
- +RB4-REFL-14L 16" Aluminum Reflector (14L)
- +RB4-REFL-LGL 16" Aluminum Reflector (21L, 28L, 14L/21L/28L, or 34L)
- +RB4-HB5 5ft Aircraft Cable Suspension Kit
- +RB4-HB10 10ft Aircraft Cable Suspension Kit
- +RB4-RED1/2³ 1/2" Pendant Adapter
- +RB4-PEN/xxx 3/4" Pendant Mounting Kit (xxx=Finish;WHT or BLK)
- +RB4/S/KIT² Field Installable Microwave Sensor
- +RB4-S/RC Remove Control For Sensor

¹ Contact Factory for more details

² Requires +RB4-S/RC for alternate programming of sensor (1 needed per site)

³ Must be used with +RB4-PEN/xxx Option

LED SYSTEMS INFO

LED SYSTEMS INFORMATION ¹		Diffuser/ Shielding	3500K		4000K		5000K		Wattage ²	Replaces	DLC
Part Numbers	Lens		Lumens	Efficacy	Lumens	Efficacy	Lumens	Efficacy			
RB4-14L/21L/28L	Clear (BLANK)	(BLANK)	27762	139.3	30580	161	29179	147.2	198	400W HID	Premium
	FRL	(BLANK)	25925	130.1	28557	150.4	27248	137.5			Standard
	Clear (BLANK)	AD	27125	136.1	29878	157.3	28509	143.9			Premium
	FRL	AD	24490	124.9	26976	144.4	25740	132			Premium
RB4-14L	Clear (BLANK)	(BLANK)	13775	135.9	14740	152.1	14478	143.7	102	250W HID	Premium
	FRL	(BLANK)	12525	121.7	13796	140.7	13164	128.6			Standard
	Clear (BLANK)	AD	12963	127.9	14279	147.9	13625	135.2			Premium
	FRL	AD	11638	113.1	12819	130.7	12232	119.5			Standard
RB4-21L	Clear (BLANK)	(BLANK)	20150	138.8	21540	153.1	21179	146.6	147	400W HID	Premium
	FRL	(BLANK)	18030	122.8	19860	142	18950	129.8			Standard
	Clear (BLANK)	AD	19260	130.6	21215	150.9	20243	138			Premium
	FRL	AD	16490	112.3	18255	129.7	17419	118.6			Standard
RB4-28L	Clear (BLANK)	(BLANK)	27863	143	30691	165.3	29285	151.2	195	400W HID	Premium
	FRL	(BLANK)	23365	119.9	25737	138.6	24558	126.8			Standard
	Clear (BLANK)	AD	27216	139.8	29986	161.5	28612	147.7			Premium
	FRL	AD	22150	113.7	24398	131.4	23280	120.2			Standard
RB4-34L	Clear (BLANK)	(BLANK)	32730	140.5	36930	165.3	34770	150.3	232	400-600W HID	Premium
	FRL	(BLANK)	28459	122.6	32225	144.2	30340	131.1			Standard
	Clear (BLANK)	AD	31690	137.3	34580	156.9	33971	146.8			Premium
	FRL	AD	26900	116.2	29670	134.7	28273	122.9			Standard

¹Values are nominal, see IES file for more detail

²Electrical data at 25C (77F). Actual wattage may differ by +/-10%.

³All SKUs may not be DLC Listed, check QPL

Electrical Data (Amps)*

Lumen Package	Wattage	120V	208V	240V	277V	347V	480V
14L	102.0	0.85 A	0.49 A	0.43 A	0.37 A	0.29 A	0.21 A
21L	147.0	1.23 A	0.701 A	0.61 A	0.53 A	0.42 A	0.31 A
28L	195.0	1.63 A	0.94 A	0.82 A	0.70 A	0.56 A	0.41 A
34L	232.0	1.93 A	1.12 A	0.97 A	0.84 A	0.67 A	0.48 A
14L/21L/28L	198.0	1.65 A	0.95 A	0.83 A	0.71 A	0.57 A	0.41 A

*Electrical Data at 25C(77F). Actual wattage may differ by +/- 10%.

ROUND HIGH BAY

SPECIFICATIONS

CONSTRUCTION

The RB4 High Bay features a cold forged die-cast aluminum housing available in 3 different sizes for a fully scalable solution. The fully gasketed housing is IP65 rated for whole luminaire ingress protection against moisture and environmental contaminants. The RB4 is protected with a durable White or Black polyester powder coat finish to withstand extreme weather changes without cracking or peeling. Salt Spray tested for 500 hrs.

ELECTRICAL

Class 1 High-performance drivers features over-voltage, under-voltage, short circuit and over temperature protection. 0-10V dimming (10% - 100%) standard with sensor option. Standard Universal Voltage (120-277 Vac) Input 50/60 Hz or optional High Voltage (347-480 Vac). L70 >100,000 hrs. in accordance with IESNA TM-21-11 projected values at 25°C Ambient temperature. Total harmonic distortion: <20%. Power factor: >0.90. Input power stays constant over life. Minimum 6kV surge rating meets a minimum Category C Low operation (per ANSI/IEEE C62.41.2). Battery backup provides 90 minutes of constant power to the LED system, ensuring code compliance. 6ft 3-Wire Power Cord included.

INSTALLATION

Options include hook (std), suspension aircraft cables (HB5/HB10), 1/2" single pendant (Requires PEN (3/4") option or power cables will run outside pendant conduit, MUST ORDER WITH CORD LONG ENOUGH FOR PENDANT LENGTH), and surface mount (SMB).

WARRANTY

5 Year Warranty Standard; 10 Year Warranty Optional ([Terms and Conditions apply](#)).

OPTICS

All models come standard in 5000K, 4000K, and 3500K field selectable color temperatures per ANSI C78.377. Minimum CRI of 80. Provided standard with an IK10 impact rated primary clear polycarbonate lens. Optional IK10 impact rated primary frosted polycarbonate lens available for added LED glare reduction. Optional 16" frosted acrylic diffusers & 16" aluminum reflector available. 16" frosted conical lens options for added diffusion.

THERMAL

The RB4 features an array of High-efficacy LED's mounted on a metal core circuit board. The LED boards are mounted directly to the cast aluminum housing with heat dissipating fins to provide excellent thermal performance extending the life of electronic components. EM/D EM/W, +RB4/S/KIT, and SMB Options have a reduced max ambient.

CONTROLS

Optional center mounted field installable sensor provides a clean appearance and ensures a balanced fixture. Sensor Plug & Plays via 3.5MM jack and is programmable (Remote ordered separately) . Sensor operations include: On/Off, Bi-Level Dimming, High-End Trim and Daylight Harvesting.

CERTIFICATIONS

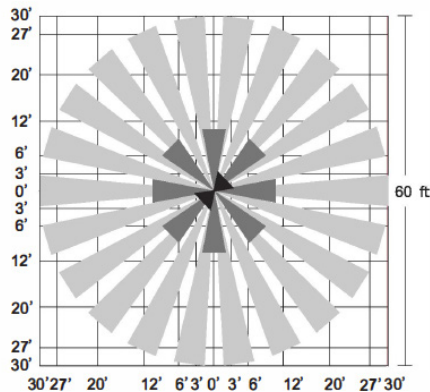
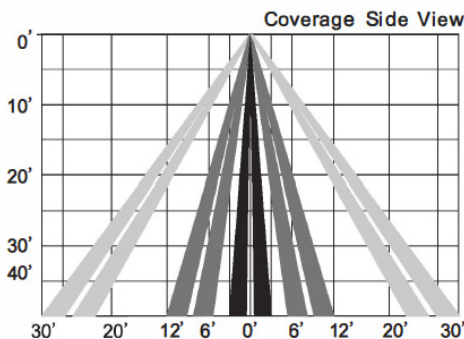
ETL Listed for wet locations. Tested in accordance with IESNA LM-79 and LM-80 standards. RoHS Compliant. Title 24 Compliant; see local ordinance for qualification information. IP65 rated Luminaire per IEC 60598. ASTM B117 Salt Spray Tested 500 Hrs. NSF Rated. IK10 Impact Rating (Primary lens). DesignLights Consortium® (DLC) Premium & Standard qualified product. Not all versions of this product may be DLC qualified. Please check the DLC Qualified Products List at www.designlights.org/QPL to confirm which versions are qualified.

CONTROLS OPTIONS

BASIC

+RB4/S/KIT

Optional center mounted field installable sensor provides a clean appearance and ensures a balanced fixture. Sensor Plug & Plays via 3.5MM jack and is remote programmable. Sensor operations include: On/Off, Bi-Level Dimming, High-End Trim and Daylight Harvesting.



Factory Default Setting: 100% sensitivity. Hold on time: 5min, Daylight sensor is ON, Dimming level: 30% Dimming time: 60 minutes.

OPTIONS



+RB4-AD

16" Shallow Acrylic Diffuser.
Ship with accessory.



+RB4-DAD

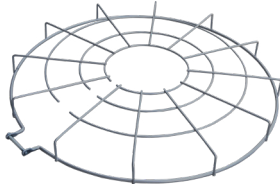
16" Deep Acrylic Diffuser.
Ship with Accessory.



+RB4-REFL
+RB4-REFL/BLK
+RB4-REFL/WHT
Aluminum Reflector.
Ship with accessory.

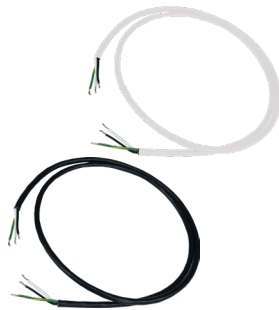


+RB4-CL16
16" Frosted Conical Bottom Lens.
Must be used with AD, DAD, or REFL options.
Ship with accessory.
Shown with AD Lens.



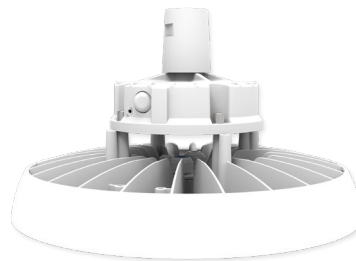
WC

Wire Cage. Can only be used with AD, DAD, or REFL options.
Ship with accessory.



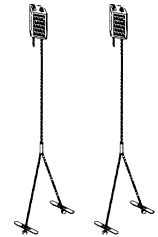
CORDx

Cords available in 10', 15', & 20'
(Inquire for additional options).
6ft cord included.
Cord matches fixture finish.



PEN

Single point mounting to accept a 3/4" conduit. Cord required for full length of pendant stem (6' standard, additional lengths sold separately).



HB5 / HB10

5ft or 10ft Aircraft Cable Suspension Kit. Ship with accessory.



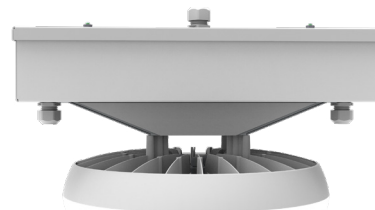
RED1/2

1/2" Pendant to 3/4" Adapter.
Use with PEN/XXX when utilizing a 1/2" Pendant stem.



SMB

Surface Mount Bracket.
Ship with accessory.



HV/D / EM/D

347-480V High Voltage Driver & 25W battery backup options for damp locations.



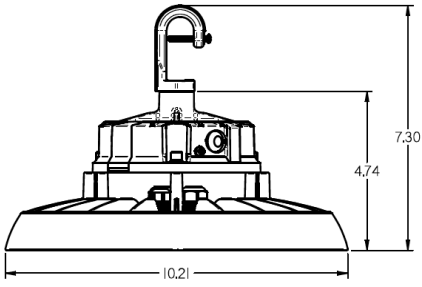
HV/W / EM/W

347-480V High Voltage Driver & 25W battery backup options for damp locations. Fixture remains IP65 rated & NSF listed.

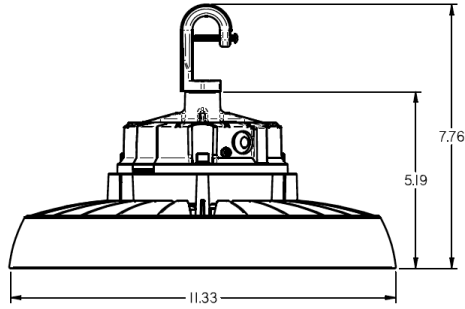
ROUND HIGH BAY

LINE DRAWINGS

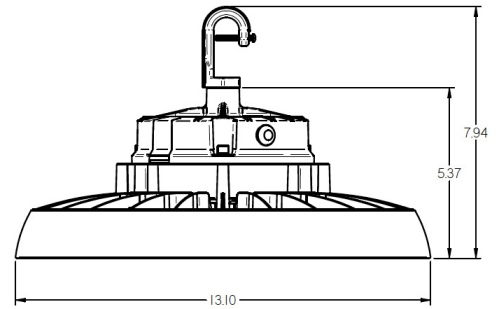
14L Side View



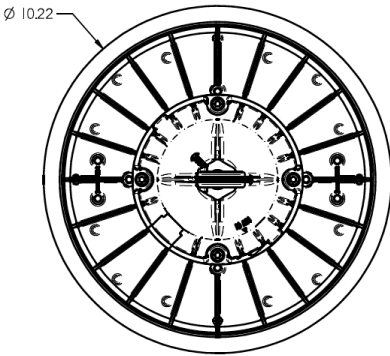
21L Side View



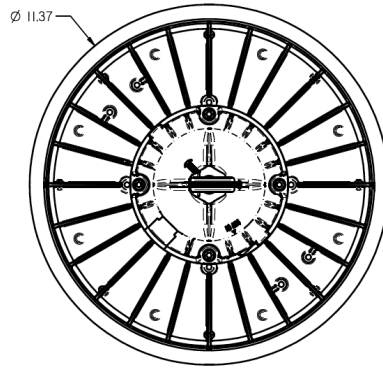
28L,34L, 14L/21L/28L Side View



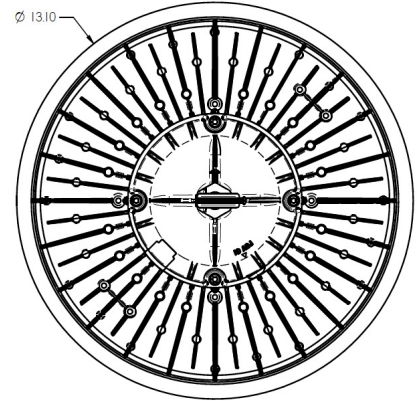
14L Top View



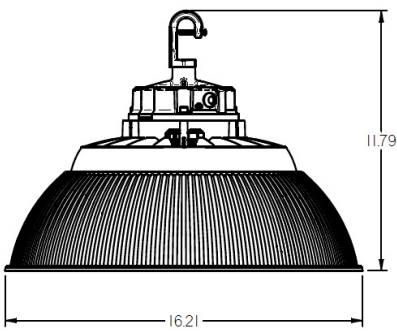
21L Top View



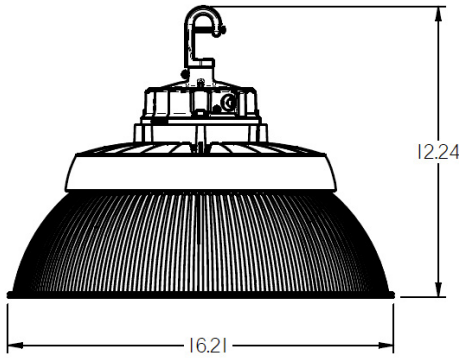
28L,34L, 14L/21L/28L Top View



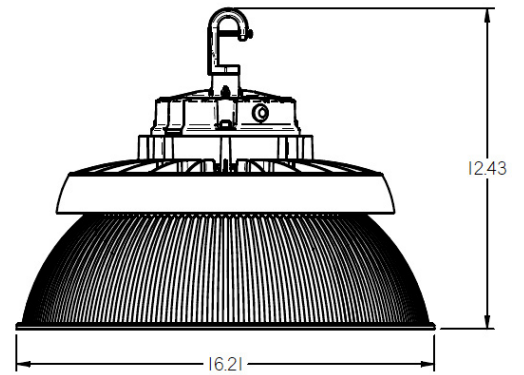
14L with AD



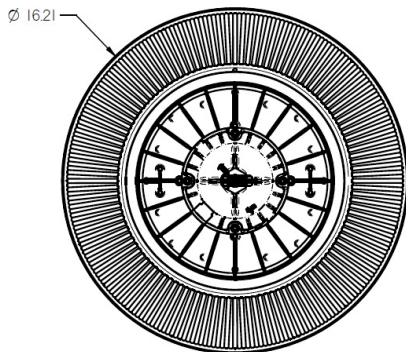
21L with AD



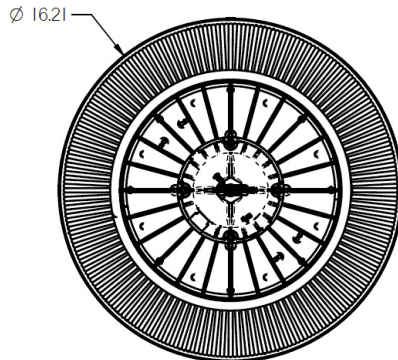
28L,34L, 14L/21L/28L with AD



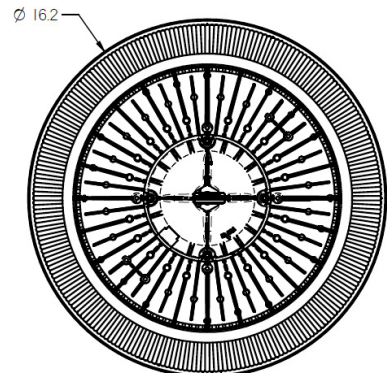
14L Top View with AD



21L Top View with AD



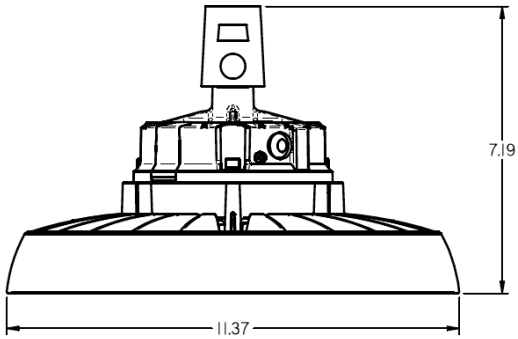
28L,34L, 14L/21L/28L Top View with AD



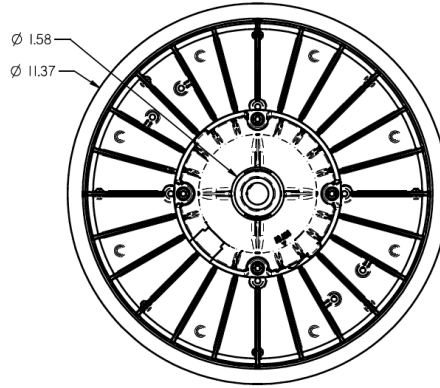
ROUND HIGH BAY

LINE DRAWINGS

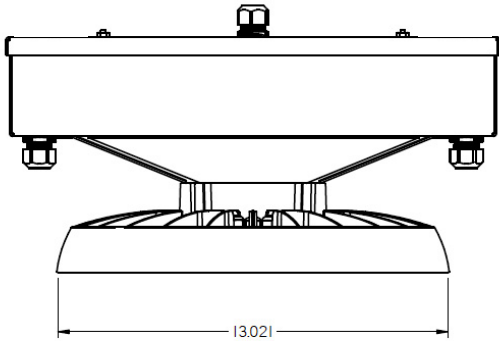
PEN Option shown with RB4-21L



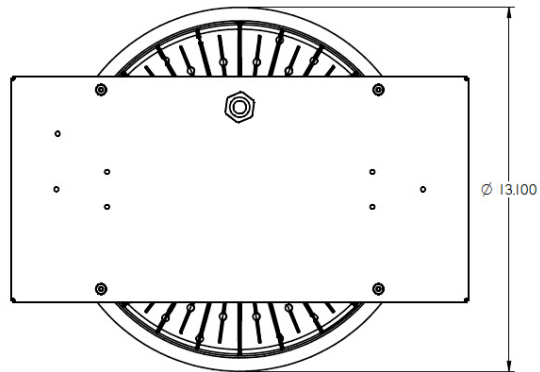
PEN Option Top View - Shown with RB4-21L



EM / HV Housing - Shown with RB4-34L



EM / HV Housing Top View - Shown with RB4-34L

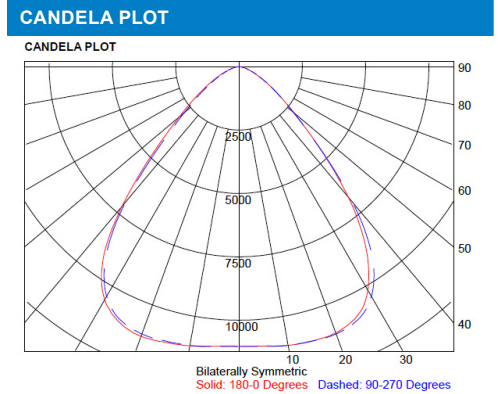


ROUND HIGH BAY

PHOTOMETRIC DATA

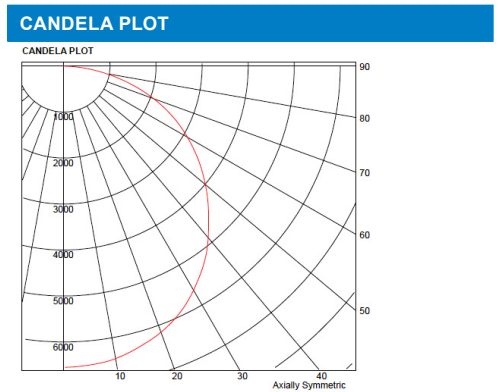
LUMINAIRE DATA	
Part Number	RB4-21L-U-40
Description	RB4, 21000lm, clear polycarbonate lens
Fixture Lumens (lm)	21540 Lumens
Wattage (W)	140.7 W
Efficacy (lm/W)	153.1 lm/W
Mounting	Pendant
Spacing Criteria	0° = 1.3, 90° = 1.3

ZONAL LUMEN SUMMARY		
Zone	Lumens (lm)	% Fixture
0° - 40°	14658.07	68%
0° - 60°	20335.32	94%
0° - 90°	21540	100%
90° - 180°	0	0%
0° - 180°	21540	100%



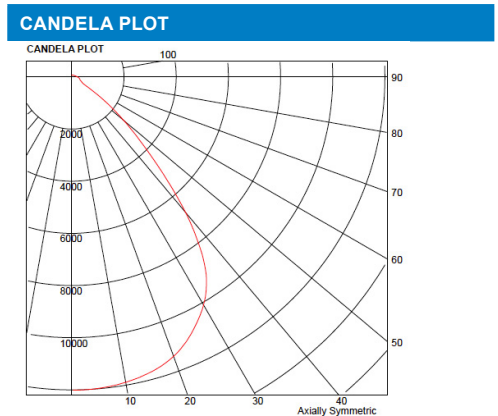
LUMINAIRE DATA	
Part Number	RB4-21L-U-40-FRL
Description	RB4, 21000lm, frosted acrylic lens
Fixture Lumens (lm)	19860 Lumens
Wattage (W)	139.9 W
Efficacy (lm/W)	142 lm/W
Mounting	Pendant
Spacing Criteria	0° = 1.28, 90° = 1.28

ZONAL LUMEN SUMMARY		
Zone	Lumens (lm)	% Fixture
0° - 40°	8534	43%
0° - 60°	15219	77%
0° - 90°	19860	100%
90° - 180°	0	0%
0° - 180°	19860	100%



LUMINAIRE DATA	
Part Number	RB4-21L-U-40-AD
Description	RB4, 21000lm, clear polycarbonate lens, frosted acrylic diffuser
Fixture Lumens (lm)	21215 Lumens
Wattage (W)	140.6
Efficacy (lm/W)	150.9
Mounting	Pendant
Spacing Criteria	0° = 1.22, 90° = 1.22

ZONAL LUMEN SUMMARY		
Zone	Lumens (lm)	% Fixture
0° - 40°	14698	69%
0° - 60°	19315	91%
0° - 90°	20404	96%
90° - 180°	811	4%
0° - 180°	21215	100%



LUMINAIRE DATA	
Part Number	RB4-21L-U-40-DAD
Description	RB4, 21000lm, clear polycarbonate lens, frosted acrylic diffuser
Fixture Lumens (lm)	21005 Lumens
Wattage (W)	140.6
Efficacy (lm/W)	149
Mounting	Pendant
Spacing Criteria	0° = 1.16, 90° = 1.16

ZONAL LUMEN SUMMARY		
Zone	Lumens (lm)	% Fixture
0° - 40°	14333	68%
0° - 60°	16960	81%
0° - 90°	19331	92%
90° - 180°	1673	8%
0° - 180°	21005	100%

