



# LED SWR WRAPAROUND

## INSTALLATION INSTRUCTIONS

### ⚠ CAUTION

PLEASE READ INSTRUCTIONS BEFORE COMMENCING INSTALLATION AND RETAIN FOR FUTURE REFERENCE.

Electrical products can cause death or injury, or damage to property. If any doubt about the installation or use of this product, consult a competent electrician.

### ⚠ WARNING

Read all product labels and instructions before installing fixture.

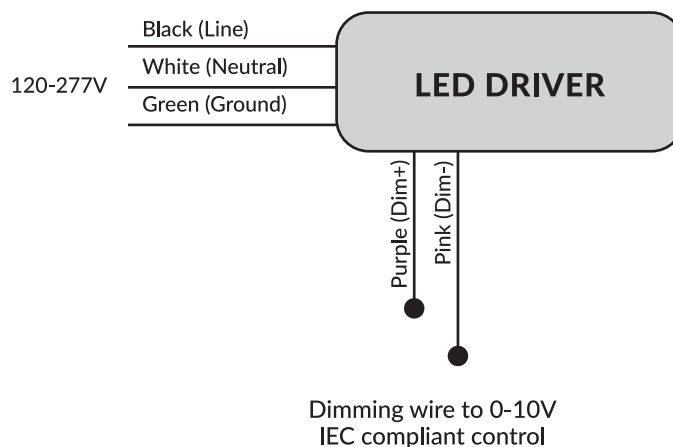
- Risk of fire or electric shock. The electrical rating of these products is 120-277VAC. The installer must confirm whether they have 120-277V at the luminaire before installation.
- Risk of fire or electric shock. Luminaire wiring and electrical parts may be damaged when drilling for installation of LED Wraparound Light. Check for enclosed wiring and components.
- Risk of fire or electric shock. LED Wraparound Light installation requires knowledge of luminaires electrical systems. Installation should be performed only by a qualified electrician in accordance with the National Electrical Code and relevant local code.
- Risk of fire or electric shock. Install this Wraparound fixture only as shown in photographs and/or drawings as provided by the manufacturer.
- Only those open holes indicated in the photographs and/or drawings may be made or altered as a result of Wraparound Light installation. Do not leave any other open holes in an enclosure of wiring electrical components.
- Do not make or alter any open holes in an enclosure of wiring or electrical components during Wraparound Light installation.
- To prevent wiring damage or abrasion, do not expose wiring to edges of sheet metal or other sharp objects.

### ⚠ WARNING

INSTALLATION SHOULD ONLY BE PERFORMED AFTER POWER TO THE FIXTURE HAS BEEN DISCONNECTED.

- Disconnect power at the source before installation, inspection or removal.
- Do not use if product is damaged.
- Do not alter, relocate, or remove wiring, power supply, or any other electrical component.
- Do not use abrasive materials, glass cleaners or other solvents on cover plate or lens. Use of these substances may damage fixture. To clean the faceplate, use a mild soap solution.
- This product must be installed in accordance with the applicable installation code by a person familiar with the construction and operation of the product and the hazards involved.
- Suitable for damp or dry locations only.

## General Wiring Diagram:



Universal voltage driver permits operation at 120-277V, 50/60Hz.

1. Connect the black fixture lead to the (+) Line supply lead.
2. Connect the white fixture lead to the (-) Neutral supply lead.
3. Connect the green wire from fixture to (G) Ground supply lead.
4. Connect the purple fixture lead to the (V+) Dim lead.
5. Connect the pink fixture lead to the (V-) Dim lead.



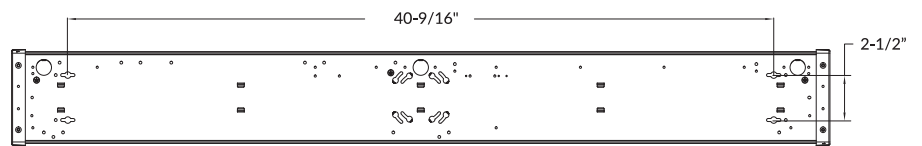
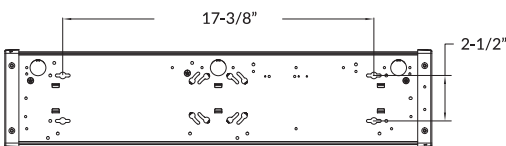
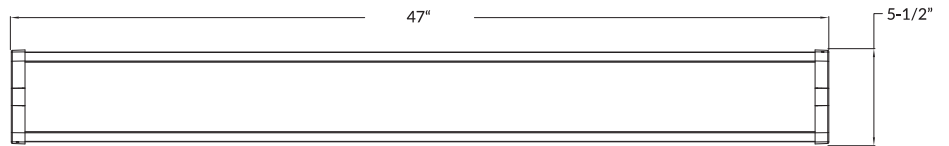
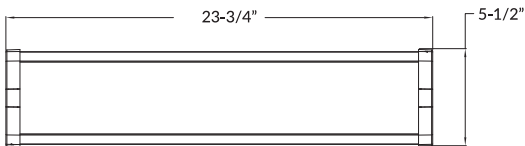
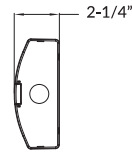
# LED SWR WRAPAROUND

## INSTALLATION INSTRUCTIONS

### Installation Instructions:

1. Read all Warnings and Installer Notes before proceeding with this installation.
2. Check to ensure all parts listed are included in your installation.

Product Dimension:



Mounting accessories (incl.):



Anchoring Bolt x 4



Mounting Screw x 4



Wire Nut x 5

### Installation Guide - Surface Mount

Turn off power to appropriate circuit at the breaker panel.

#### Step 1: Remove the diffuser

Turn up the small lid on end cap of each side of the fixture and take out the diffuser (Figure 1).

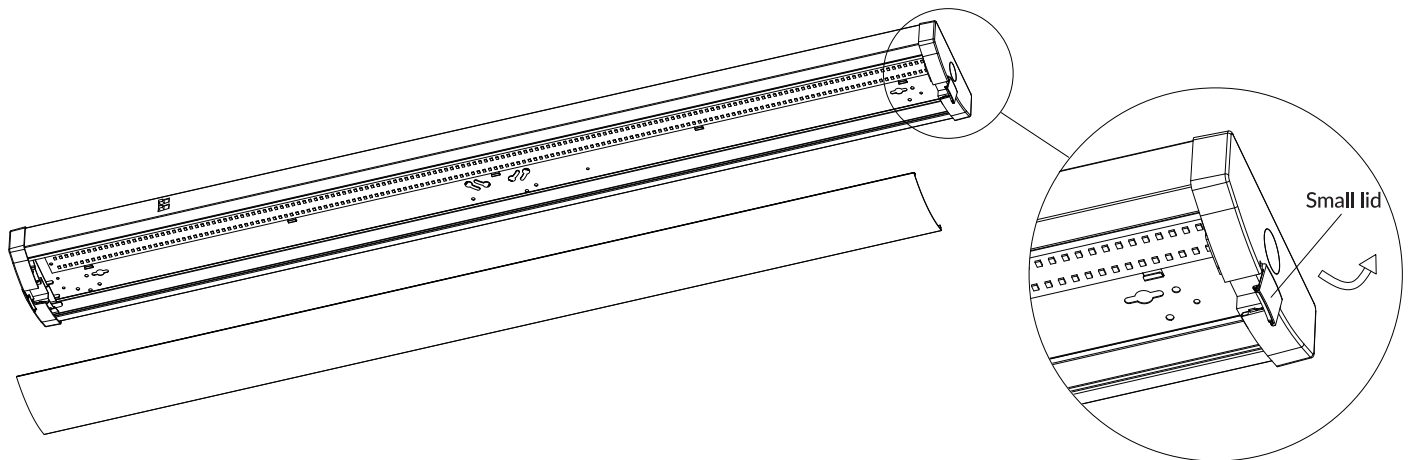


Figure 1



# LED SWR WRAPAROUND

## INSTALLATION INSTRUCTIONS

### Installation Guide - Surface Mount

#### Step 2: Prepare mounting surface

Place the fixture on the junction box and mark the four keyhole positions onto the mounting surface. Put the fixture aside and drill the four holes. Insert an anchoring bolt into each hole in needed (Figure 2).

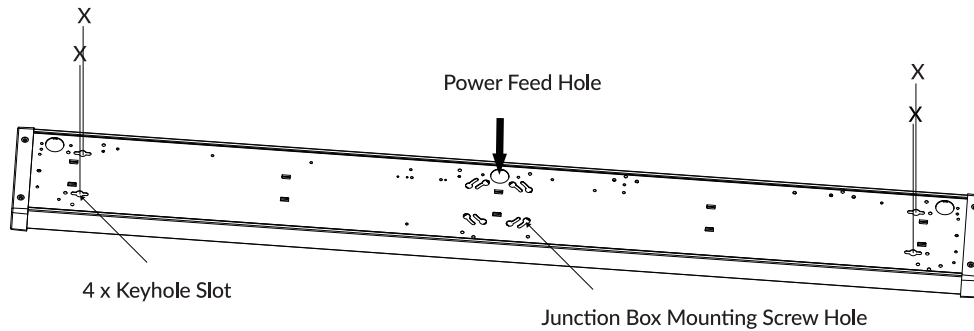


Figure 2

#### Step 3: Electrical connections

Take out the cables from the fixture through the power feed hole. Use a screwdriver to punch out one of the knocked holes if the power feed hole position does not work. Make appropriate electrical connection in the junction box according to general wiring diagram (Figure 3).

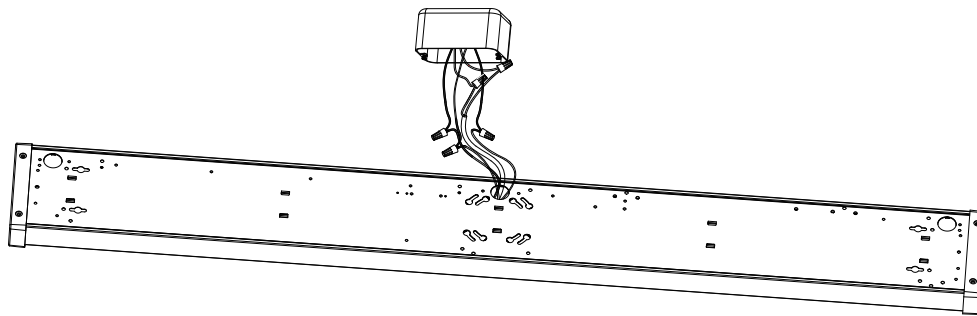


Figure 3

#### Step 4: Install fixture - Option A: mounting directly to surface

If mounting directly to surface, place fixture against mounting surface and install four screws into marked locations/anchoring bolts. Guide the heads of the four mounting screws into the keyhole slots and slide the fixture housing in the direction so that the mounting screw heads could rest over the narrow part of the keyhole slot. Ensure that the fixture is supported and tighten the four mounting screw until the fixture is secured to the mounting surface (Figure 4).

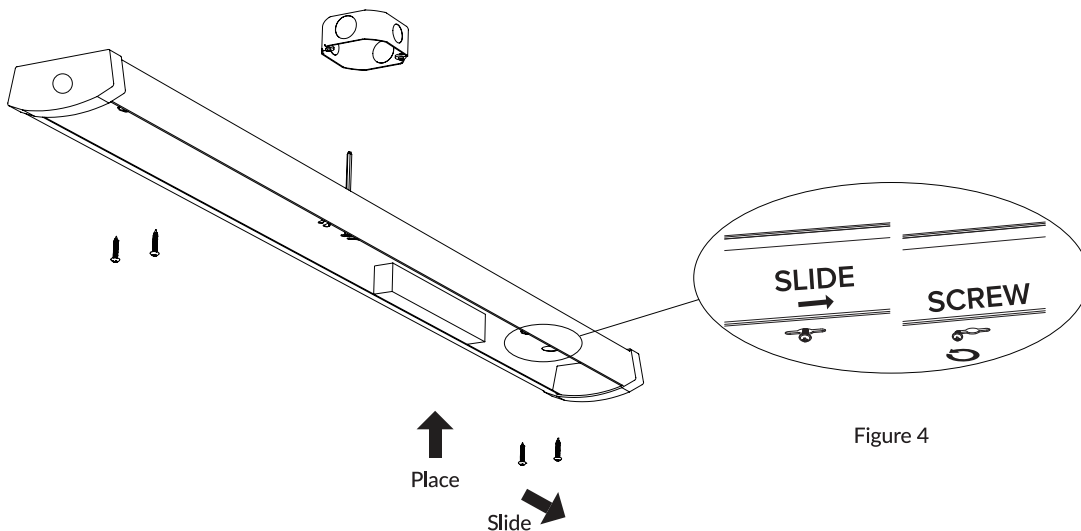


Figure 4



# LED SWR WRAPAROUND

## INSTALLATION INSTRUCTIONS

### Installation Guide - Surface Mount

#### Step 4: Install fixture - Option B: mounting to J-box

If mounting to junction box, install the two screws into the junction box and leave 1/4" of screw exposed to accommodate fixture housing. Place the fixture against junction box and install two screws through junction box mounting holes. Turn the fixture clockwise to lock in place and tighten screws to ensure the fixture is secured (Figure 5).

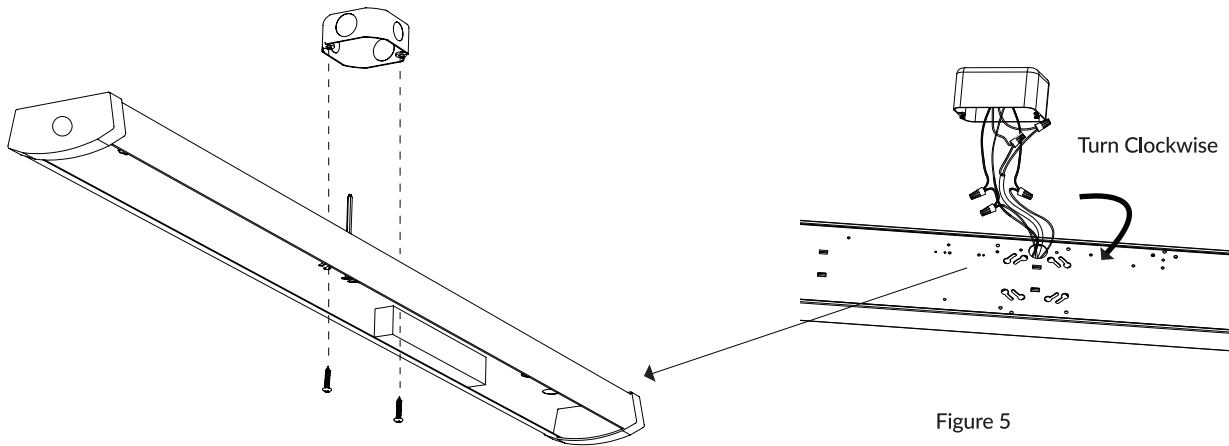


Figure 5

#### Step 5: Put back the diffuser

Attach the diffuser to the housing and turn down the small lid on end cap of each side of the fixture to fix the diffuser.

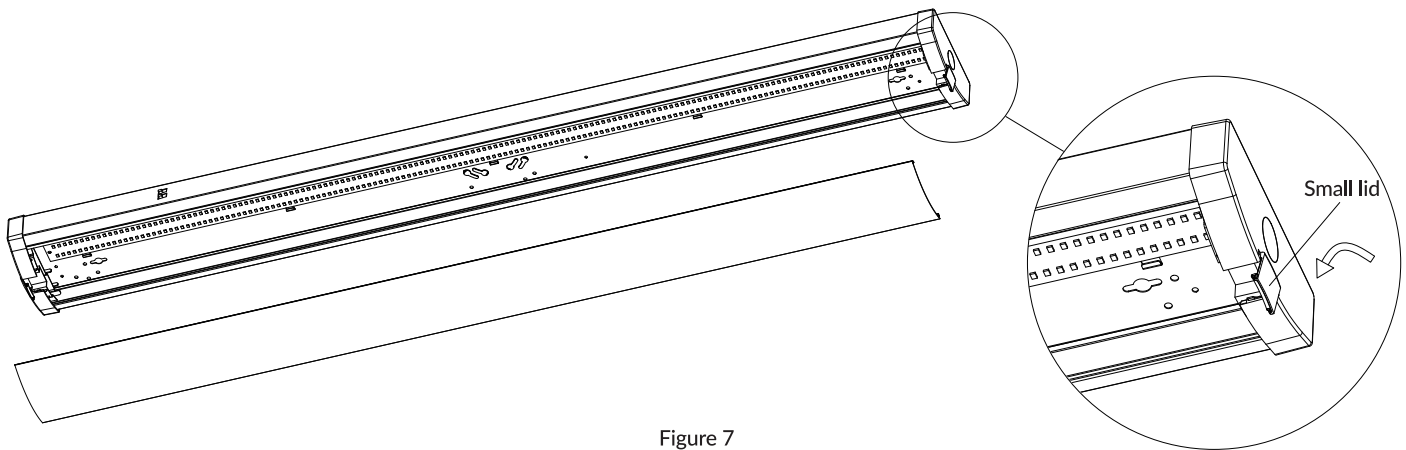


Figure 7



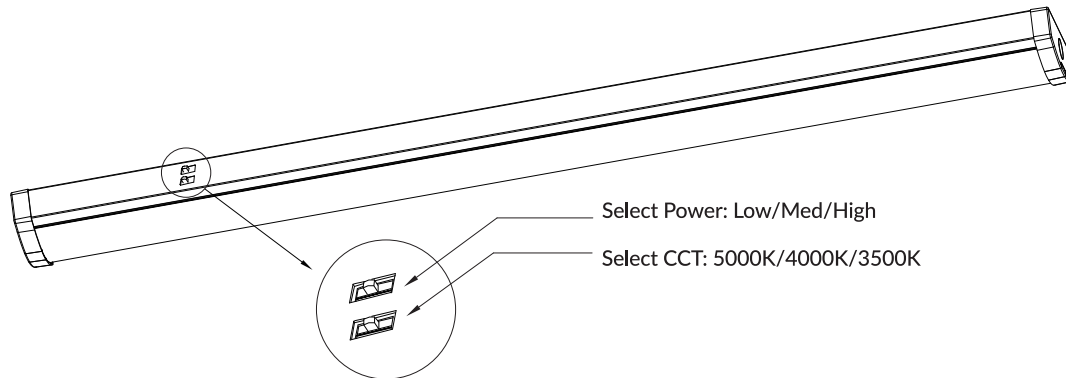
# LED SWR WRAPAROUND

## INSTALLATION INSTRUCTIONS

### Field-Adjustable CCT & Wattage

The end user may adjust the color temperature and lumen output respectively by the two DIP switches located on the side of the fixture. Select a wattage or color temperature by sliding switch left or right respectively to the desired value.

Factory Setting: 4000K / Max. Power



### Nominal Lumen Output Settings

Mode	Power		3500K	4000K	5000K
	SWR2-18L/24L/30L-U-CCTS	Low	15W	1725lm	1755lm
Med		20W	2300lm	2340lm	2300lm
High		25W	2875lm	2925lm	2875lm
SWR4-36L/48L/60L-U-CCTS	Low	30W	3450lm	3510lm	3450lm
	Med	40W	4600lm	4680lm	4600lm
	High	50W	5750lm	5850lm	5750lm