

Project Name:	Part Number:	Type:
---------------	--------------	-------

# UFO LOW BAY

## INDUSTRIAL



407-478-3759  
www.ilp-inc.com

### FEATURES

- Low profile die-cast aluminum housing
- Frosted Polycarbonate Lens (std.)
- Quick mount bracket standard for easy surface mount installation
- ½" coin plug on top for center pendant mount or jbox w/ cord lock
- Four ½" coin plugs on sides for conduit or photocell
- Motion and Daylight Harvesting available
- Sensor Ready for Grouping/Zones & IoT (provided by others)
- Bronze and White housing (stocked)
- Custom color options available
- 3000K, 4000K, & 5000K available
- 0-10V Dimming Driver (std.)
- 120V-277V Universal Voltage
- 5 Year Warranty
- IP66 Rated
- DesignLights Consortium® Premium Qualified Luminaire



### SUITABLE APPLICATIONS

- Warehouses
- Manufacturing Plants
- Coolers / Freezers
- Distribution Centers
- Gymnasiums
- Saw Mills

LED INFO		40W	58W	75W		40W	58W	75W
Calculated L <sub>70</sub>	4000K	>100K	>100K	>100K	5000K	>100K	>100K	>100K
Delivered Lumens		5,567 lm	7,260 lm	9,482 lm		5,610 lm	7,297 lm	9,640 lm
Total Input Watts		40 W	58 W	77 W		40 W	58 W	77 W
Efficacy Rating		139 lm/W	126 lm/W	124 lm/W		140 lm/W	127 lm/W	126 lm/W
CCT		4000K	4000K	4000K		5000K	5000K	5000K
CRI		>80	>80	>80		>80	>80	>80
Ambient Max		130°F	130°F	125°F		130°F	130°F	125°F

LED System data above based on UFO-40WLED-UNIV-40-LB, UFO-58WLED-UNIV-40-LB, UFO-75WLED-UNIV-40-LB, UFO-40WLED-UNIV-50-LB, UFO-58WLED-UNIV-50-LB & UFO-75WLED-UNIV-50-LB. LED Lumen Maintenance Estimates based on TM-21 projections for the light source at 25°C ambient.

### ORDERING GUIDE:

Series	Watts	Driver	Color	Options
UFO Low Bay	40WLED 58WLED 75WLED†	UNIV 120-277 Driver	50 40 30	<input checked="" type="checkbox"/> <b>LB</b> Low Bay Optic <b>CORDx</b> Cord (x = ft) <b>WLOS**</b> Wet Location Occupancy Sensor <b>USBD**</b> User Select Bi-Level Dim w/ Occ. Sensor <b>BDxx</b> Preset Bi-Level Dim Sensor (xx=% e.g. 20, 30) <b>BDxxPC</b> Preset Bi-Level Dim Sensor w/ Photocell <b>DIM</b> Dimming Leads Added <b>FSIR/100</b> Remote Configuration Tool for WLOS, and USBD, Control Options <b>HB-XX-18Y-PAD</b> Y-Toggle Cable System (x=in) <b>TB</b> Trunnion Mount Bracket <b>SP1</b> 10kA Max Univolt Surge Protector <b>SP2</b> 22kA Max Univolt Surge Protector <b>SP480V2</b> 20kA Max 480V Surge Protector <b>LEDBBCT</b> -4°F - 80°F Battery Backup <b>ILBCP05</b> 5W Battery Backup Factory Installed (32°F - 100°F) <b>SD480*</b> 480V Step Down Transformer <b>SD347*</b> 347V Step Down Transformer

\* Option not currently DLC Qualified

\*\* Must Use w/ FSIR/100 Remote

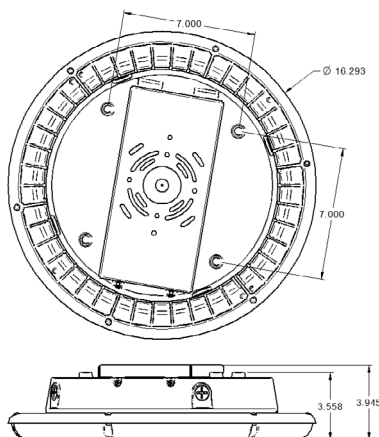
† DLC Standard

LEDBBCT & SD480 Cannot Be Installed Together

# UFO LOW BAY

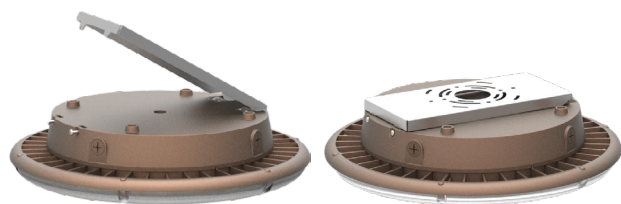
## INDUSTRIAL

### LINE DRAWING

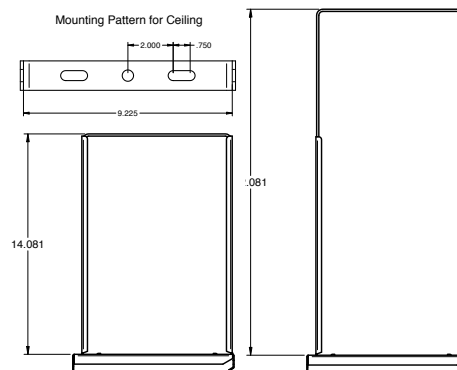


### MOUNTING OPTIONS

- **Quick Mount Bracket** - Standard for base of installation when surface mounting to either the ceiling or junction box
- **Pendant** - 1/2" threaded pendant can be mounted through 1/2" coin plug on top of fixture (Supplied by other)
- **TB** - Trunion Mount Bracket

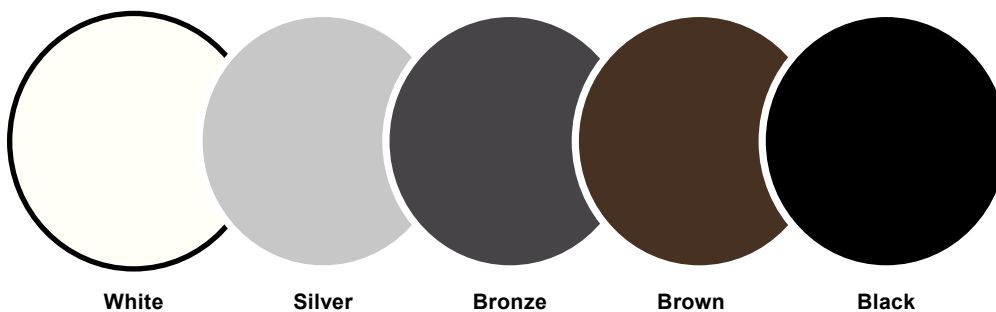


Quick Mount Bracket



Trunion Mount Bracket

### COLOR GUIDE



White

Silver

Bronze

Brown

Black

COLOR NAME AND DESCRIPTION	SHEEN	PRODUCT	VENDOR
WHT - ILP White - in stock	SEMI GLOSS	POLANE T	SHERWIN-WILLIAMS
SLV - ILP Silver - Ultrasonic Chrome	GLOSS	POLANE T	SHERWIN-WILLIAMS
BRZ - ILP Bronze - std. & in stock	SEMI GLOSS	POLANE T	SHERWIN-WILLIAMS
BRN - ILP Brown	SEMI GLOSS	POLANE T	SHERWIN-WILLIAMS
BLK - ILP Black	SEMI GLOSS	POLANE T	SHERWIN-WILLIAMS

**COLORS SHOWN ABOVE ARE TO BE USED AS REFERENCE, NOT EXACT MATCH.  
PLEASE REQUEST PAINT CHIPS FOR EXACT MATCH.**

# UFO LOW BAY

## INDUSTRIAL

### PHOTOMETRIC REPORTS

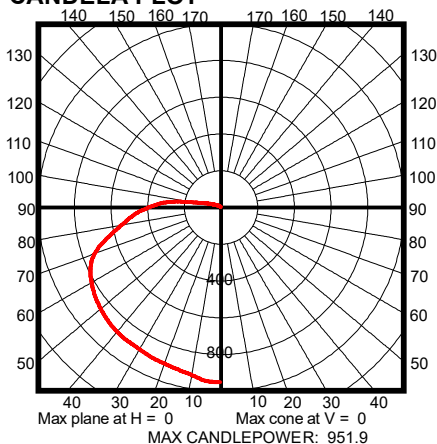
Photometric values based upon tests performed in compliance with LM-79. IES files can be downloaded at [www.ilp-inc.com](http://www.ilp-inc.com)

#### UFO-40WLED-UNIV-40-LB

##### SUMMARY DATA

HEMISPHERES TESTED:	BOTH
EFFICIENCY (Down / Up):	90.3 % / 9.7 %
EFFICIENCY (Street / House):	50.0 % / 50.0 %
ROADWAY CLASSIFICATION:	TYPE V
CUTOFF CLASSIFICATION:	NON CUTOFF
LUMENS:	5244.37
INPUT WATTS:	40.67

##### CANDELA PLOT

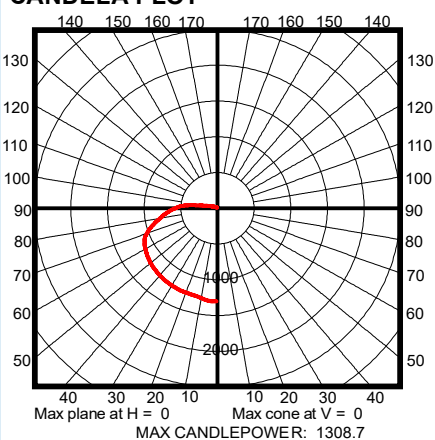


#### UFO-58WLED-UNIV-40-LB

##### SUMMARY DATA

HEMISPHERES TESTED:	BOTH
EFFICIENCY (Down / Up):	89.8 % / 10.2 %
EFFICIENCY (Street / House):	50.0 % / 50.0 %
ROADWAY CLASSIFICATION:	TYPE V
CUTOFF CLASSIFICATION:	NON CUTOFF
LUMENS:	7420.37
INPUT WATTS:	58.15

##### CANDELA PLOT



#### UFO-75WLED-UNIV-40-LB

##### SUMMARY DATA

HEMISPHERES TESTED:	BOTH
EFFICIENCY (Down / Up):	90.4 % / 9.6 %
EFFICIENCY (Street / House):	50.0 % / 50.0 %
ROADWAY CLASSIFICATION:	TYPE V
CUTOFF CLASSIFICATION:	NON CUTOFF
LUMENS:	9448.5
INPUT WATTS:	77.3

##### CANDELA PLOT

