

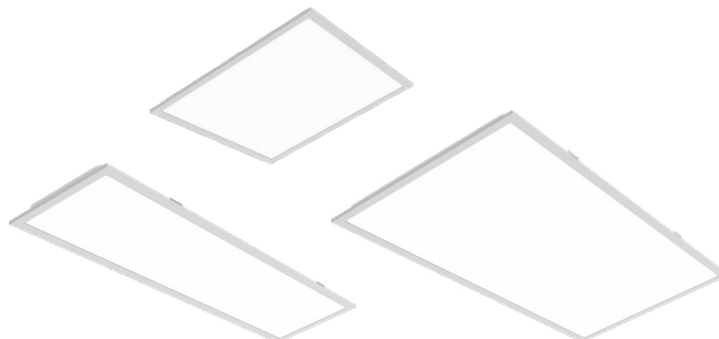


407-478-3759
www.ilp-inc.com

Back-Lit Flat Panel

FEATURES

- Low Glare Smooth Uniform Illumination Back-Lit Panel
- Robust Die-Formed Housing with White Post-Paint Finish
- High Transmission PMMA Frosted lens
- Grid, Flange, Surface & Suspended Mounting Options
- 1x4, 2x2 & 2x4 Sizes
- Field Selectable or Factory Set Lumen Output
 - 2,600 to 7,900 Delivered Lumen Range
- Field Selectable or Factory Set CCT
 - 3500K, 4000K & 5000K CCT
- >80 Color Rendering Index (CRI)
- Bi-Level Dimming Options
- Calculated L70 >100,000hrs
- 0-10V Dimmable Driver (100%-10%)
- 120-277V Universal Voltage
- Type IC Rated for Insulation Contact
- 5 Year Warranty
- ETL Listed for Damp Locations
- DesignLights Consortium Qualified Luminaire
- Optional NSF-certified models are listed per NSF/ANSI Standard 2 – Light Fixture for Splash Zone and Non Food Zone



SUITABLE APPLICATIONS

- Education
- Healthcare
- Commercial Office
- Storage Facility
- Retail
- Grocery Store
- Residential
- Commercial Kitchen
- Food Prep

ORDERING GUIDE:

SERIES	LUMENS (select one)	DRIVER	CCT	NSF	ALT. DRIVERS
VPAN14 1x4 Back-Lit Flat Panel	22L/33L/44L - Selectable	U 120-277V	CCTS - 35/40/50 - CCT Selectable	(Blank) No NSF Listing	(Blank) Standard Driver
	22L		35	NSF ⁶ NSF Certified Model	SR ^{11,13} Sensor-Ready Driver
	33L		40		DR ^{11,13} DALI Driver
	44L		50		BLD ^{11,13} Bi-Level Dimming Driver
VPAN22 2x2 Back-Lit Flat Panel	22L/33L/44L - Selectable				
	22L				
	33L 44L				
VPAN24 2x4 Back-Lit Flat Panel	33L/44L/55L - Selectable				
	33L				
	44L				
	55L				
	50L/65L/80L - Selectable				
	50L				
	65L 80L				

OPTIONS		CONTROLS	
Factory Installed		Basic	
EM5	5W LED Factory Installed Battery Backup	MWS ³	User Selectable Bi-Level Dimming Microwave Sensor
EM5/HE ¹	5W LED Factory Installed Battery Backup		Advanced
EM7	7W LED Factory Installed Battery Backup	SNS200CMP ^{7,8,9,10}	EasySense Grouping Ceiling Mount Sensor
EM7/HE ¹	7W LED Factory Installed Battery Backup	5E/CU/IL ¹⁰	Enlighted 5E Individual Lighting (IL) Sensor with Control Unit
EM10	10W LED Factory Installed Battery Backup	5E/CU/CL ¹⁰	Enlighted 5E Connected Lighting (CL) Sensor with Control Unit
EM10/HE ¹	10W LED Factory Installed Battery Backup	5E/CU/IOT ¹⁰	Enlighted 5E Internet of Things (IOT) Sensor with Control Unit
EM10/HE/SD ¹	10W LED Factory Installed Self-Diagnosing Battery Backup	VDO ¹⁰	Lutron Vive DFCSJ-OEM-OCC Daylight & Occupancy Control
EM12	12W LED Factory Installed Battery Backup	VRF ¹⁰	Lutron Vive DFCSJ-OEM-RF Radio Frequency Communication Only
		AWN ^R	Lutron Athena Wireless Node

* See additional options and footnotes on page 2

Back-Lit Flat Panel

OPTIONS CONT.		FIELD INSTALLABLE ACCESSORIES	
Factory Installed		Ship With Accessories	
SD347 ²	347V Step Down Transformer	FLGKxx	Flange Mount Kit (xx=size, 14=1x4)
MCx/3W	Metal Conduit (x=ft), 3-wire	+VPANxx SM ¹²	Surface Mount Kit (xx=size, 14=1x4)
MCx/4W	Metal Conduit (x=ft), 4-wire	+VPANxx SLMK ¹²	Skylight Mount Kit - White Finish (xx=size, 14=1x4)
MCx/5W	Metal Conduit (x=ft), 5-wire	+VPANxx SLMK BLK ¹²	Skylight Mount Kit - Black Finish (xx=size, 14=1x4)
MCx/6W	Metal Conduit (x=ft), 6-wire	+VPANxx SEK	Suspended Enclosure Kit (xx=size, 14=1x4)
		ACx/L ⁵	Aircraft Cable Loop Set for Suspension Mounting (x=ft)
		ES/PCD	EasySense Pre-Programmed Control Device
		MW/RC ⁴	Programming Tool for MWS Sensor

¹CEC Title 20 Compliant
²Does not qualify for DLC

³Must be used with MW/RC option for commissioning
⁴One needed per project
⁵Two sets required per fixture for suspension mounting
⁶Must select this option if NSF-certification is required

⁷Must be used with ES/PCD for commissioning
⁸Must be used with SR Sensor Ready Driver
⁹One Sensor can be wired to up to (4) fixtures with SR Sensor Ready Driver Option

¹⁰Sensor to be mounted in adjacent ceiling tile
¹¹Not available with the lumen selectable option
¹²Not NSF Listed
¹³Not compatible with CCTS



QUICK SHIP ITEMS:

SERIES	LUMENS (select one)	DRIVER	CCT
VPAN14 1x4 Back-Lit Flat Panel	22L/33L/44L - Lumen Selectable	U 120-277V	CCTS - 35/40/50 - CCT Selectable
VPAN22 2x2 Back-Lit Flat Panel	22L/33L/44L - Lumen Selectable		
VPAN24 2x4 Back-Lit Flat Panel	33L/44L/55L - Lumen Selectable 50L/65L/80L - Lumen Selectable		

LED SYSTEMS INFORMATION ¹		3500K		4000K		5000K		Watts ²	Replaces
Model Numbers	Fixed Model Numbers	Lumens	Efficacy	Lumens	Efficacy	Lumens	Efficacy		
VPAN14-22L/33L/44L-U-CCTS	VPAN14-22L-U-XX	2,790 lm	135 lm/W	3,074 lm	154 lm/W	2,821 lm	138 lm/W	20W	1T8
	VPAN14-33L-U-XX	3,849 lm	126 lm/W	4,354 lm	149 lm/W	3,929 lm	130 lm/W	30W	2T8
	VPAN14-44L-U-XX	4,742 lm	117 lm/W	5,503 lm	144 lm/W	4,900 lm	122 lm/W	40W	3T8
VPAN22-22L/33L/44L-U-CCTS	VPAN22-22L-U-XX	2,638 lm	130 lm/W	2,904 lm	148 lm/W	2,724 lm	134 lm/W	20W	1T8
	VPAN22-33L-U-XX	3,684 lm	121 lm/W	4,156 lm	142 lm/W	3,834 lm	125 lm/W	30W	2T8
	VPAN22-44L-U-XX	4,569 lm	116 lm/W	5,240 lm	138 lm/W	4,751 lm	120 lm/W	39W	3T8
VPAN24-33L/44L/55L-U-CCTS	VPAN24-33L-U-XX	3,578 lm	126 lm/W	3,992 lm	143 lm/W	3,800 lm	133 lm/W	28W	2T8
	VPAN24-44L-U-XX	4,590 lm	120 lm/W	5,191 lm	140 lm/W	4,885 lm	128 lm/W	38W	3T8
	VPAN24-55L-U-XX	5,577 lm	113 lm/W	6,466 lm	135 lm/W	5,996 lm	122 lm/W	49W	4T8
VPAN24-50L/65L/80L-U-CCTS	VPAN24-50L-U-XX	5,362 lm	141 lm/W	5,527 lm	147 lm/W	5,428 lm	142 lm/W	38W	4T8
	VPAN24-65L-U-XX	6,474 lm	137 lm/W	6,680 lm	144 lm/W	6,528 lm	138 lm/W	47W	5T8
	VPAN24-80L-U-XX	7,603 lm	132 lm/W	7,914 lm	142 lm/W	7,669 lm	134 lm/W	57W	6T8

¹Values are nominal, see IES file for more detail ²Electrical data at 25C (77F). Actual wattage may differ by +/- 10%
^{*} Ambient Temperature range is -4°F - 104°F for all models

Back-Lit Flat Panel

SPECIFICATIONS

CONSTRUCTION

Robust Die-Formed Housing and lens frame with White Post-Paint Finish for rigidity and durability. Formed and tightly constructed corners seal to housing to deter entrance of outside particles. Designed to achieve maximum performance and improved aesthetics.

ELECTRICAL

Class 2 LED light engine for high efficacy and long life. Calculated L70 > 100,000hrs. Power Factor > 0.90. Standard 120-277 Vac 0-10V dimmable (10% - 100%). Optional 347V step down transformer. Optional Bi-level dimming driver (50%). Lumen Selectable fixtures allow for ease of field lumen adjustment with switch located on top side of driver. Lumen Selectable fixtures ship at the highest lumen output. CCT Selectable fixtures ship at 4000K.

INSTALLATION

Designed for a variety of mounting solutions including recessed grid, flange and surface mount. VPAN fits into standard 15/16" T-grid ceiling. Standard integral T-grid clips affixed to housing for secure fixture to grid ceiling. Access plate installed on top of driver housing for ease of hardwire power connections. Optional factory installed power flex conduit whip (MC) available to reduce installation time.

OPTICS

High transmission extruded PMMA frosted acrylic lens with excellent shielding for durability and LED glare reduction. Individual micro optics present over each LED chip to provide smooth uniform illumination.

CONTROLS

Factory installed bi-level dimming microwave sensor to provide maximize energy savings when area is unoccupied. Sensor requires use of programming tool to set low end trim fixture output. Sensor installed behind lens. Advanced Control options also available and would be remotely mounted in the neighboring ceiling tile.

CERTIFICATIONS

ETL Listed to US and Canadian safety standards. Suitable for damp locations. Type IC Rated for Insulation Contact. Title 24 Compliant with sensor option; see local ordinance for qualification information. DLC (DesignLights Consortium) Standard Qualified. Please refer to the DLC Qualified Products List at www.Designlights.org/QPL to confirm specific product qualifications. NSF certified models are listed per NSF/ANSI Standard 2 – Light Fixture for Splash Zone and Non Food Zone.

WARRANTY

5 Year Warranty (Terms and Conditions apply)

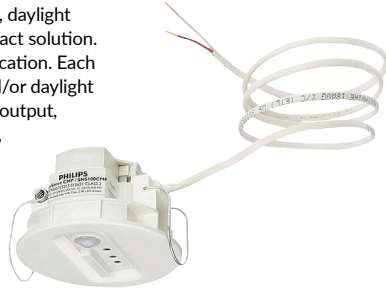
Back-Lit Flat Panel

ADVANCED CONTROLS OPTIONS

EASYSENSE

SNS200CMP

EasySense sensor combines occupancy sensing, daylight harvesting and institutional tuning in one compact solution. This is an ideal control for any commercial application. Each sensor allows you to turn on/off occupancy and/or daylight harvesting functions as well as set the full light output, background light level, occupancy prolong time, occupancy grace fading time & occupancy time out/hold time. Sensor designed to install in adjacent ceiling tile. Sensor can be wired to up to (4) fixtures with Sensor Ready (SR) Module. Requires use of EasySense Pre-Programmed Control Device (ES/PCD), or approved phone from compatibility list; one needed per project.



ES/PCD

Pre-Programmed EasySense Control Device. One needed per project. Sensor can also be programmed with the approved compatible cell phone (listed below).

Compatible Cell Phones:

- LG G4
- Samsung S5
- Samsung Note 4
- Samsung S4 Mini
- Samsung S6
- Samsung Note Edge 1
- Samsung S4

ES/WWS/DR

Optional Wireless / Batteryless Dual Rocker Wall Switch. Up to 100ft range. Functions include: On/Off, dimming and setting of (2) scenes for full room control.

Specifications:

- Wireless
- ZigBee®
- Batteryless
- 30-100ft Range
- Dual Rocker

Functions:

1. On (Hold to brighten up)
2. Off (Hold to dim down)
3. Scene 1
4. Scene 2



LUTRON

VDO

Vive DFCSJ-OEM-OCC integral fixture control sensor with daylight & occupancy. Vive provides intuitive programming allowing for maximum flexibility with wireless communication & sensing as desired. Provided with factory installed components only. Lutron system provided by others. Sensor must be used in conjunction with Pico Switch/Dimmer. Cannot be used in conjunction with mechanical on/off power switch. Contact factory for more information.



VRF

Vive DFCSJ-OEM-RF integral fixture control with Radio Frequency (RF) communication. Vive provides intuitive programming allowing for maximum flexibility with wireless communication as desired. Providing with factory installed components only. Lutron system provided by others. Sensor must be used in conjunction with Pico Switch/Dimmer. Cannot be used in conjunction with mechanical on/off power switch. Contact factory for more information.



ENLIGHTED

5E/CU/IL

Bundled System with Enlighted 5E sensor (SU-5E-IL), Control Unit (CU-4E-FM) and Cable (CBL-5E-CU4-30N). Fixtures are controlled based on occupancy & ambient light. Includes ability to group fixtures together and connect to a switch to zone fixtures for group operation. Provided with factory installed components only. Enlighted system provided by others. Contact factory for more information.



5E/CU/CL

Bundled System with Enlighted 5E sensor (SU-5E-CL), Control Unit (CU-4E-FM) and Cable (CBL-5E-CU4-30N). Fixtures are controlled based on occupancy and ambient light. Includes individual lighting control plus connection to Enlighted Energy Manager. The Energy Manager provides data analysis for all data collected by the Enlighted Smart Sensors for energy, occupancy and environment. Provided with factory installed components only. Enlighted system provided by others. Contact factory for more information. (see image above)

5E/CU/IOT

Bundled System with Enlighted 5E sensor (SU-5E-IOT), Control Unit (CU-4E-FM) and Cable (CBL-5E-CU4-30N). Fixtures are controlled based on occupancy and ambient light. Includes individual lighting control plus connection to Enlighted Energy Manager. Energy Manager provides data analysis for all data collected by Enlighted Smart Sensors for energy, occupancy & environment. Additionally, the IOT functionality takes the data access and function beyond just lighting to a wide range of applications beyond the standard connected lighting controls. Provided with factory installed components only. Enlighted system provided by others. Contact factory for more information. (see image above)

LUTRON

AWNRR

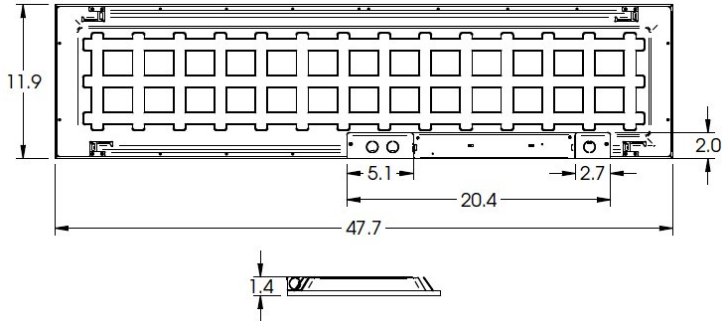
Athena wireless node is a radio frequency (RF) device that enables simple, digital control of individual light fixtures in an Athena control system. Enables individual wireless control of each fixture in an Athena control system. Accommodates zone and control changes without rewiring. All drivers on the link are controlled as a single zone. Provided with factory installed components only. Lutron Athena system provided by others.



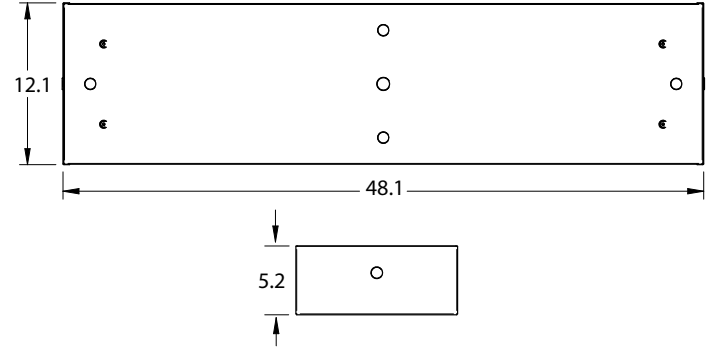
Back-Lit Flat Panel

LINE DRAWINGS

1x4 Dimensions

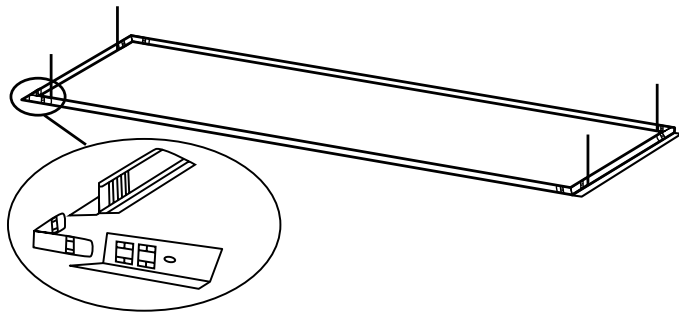


1x4 SEK Suspended Enclosure Dimensions

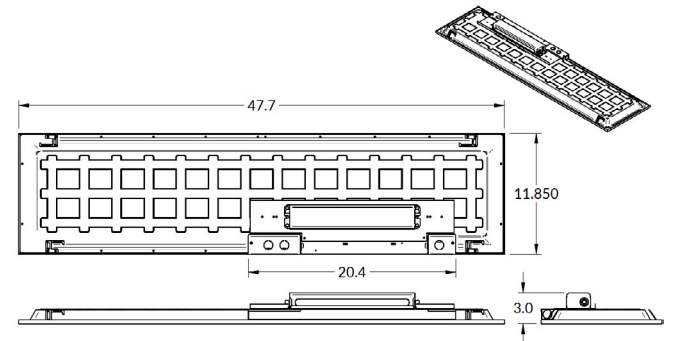


1x4 Flange Kit

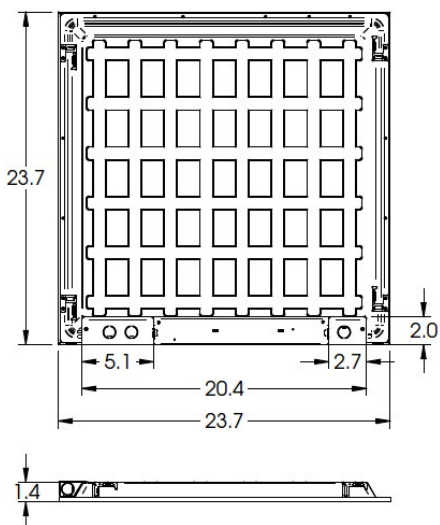
Ceiling opening is 12.25" x 48.25"



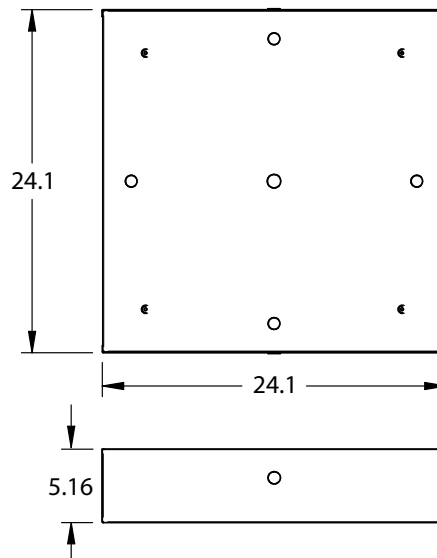
1x4 Dimensions with EM



2x2 Dimensions

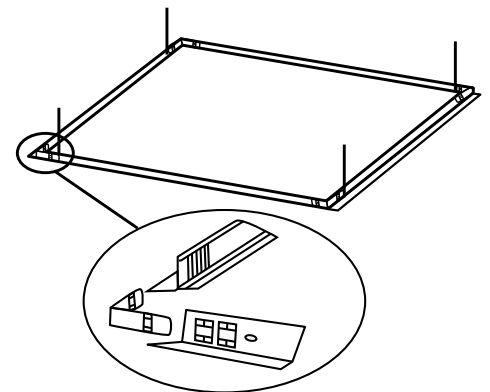


2x2 SEK Suspended Enclosure Dimensions



2x2 Flange Kit

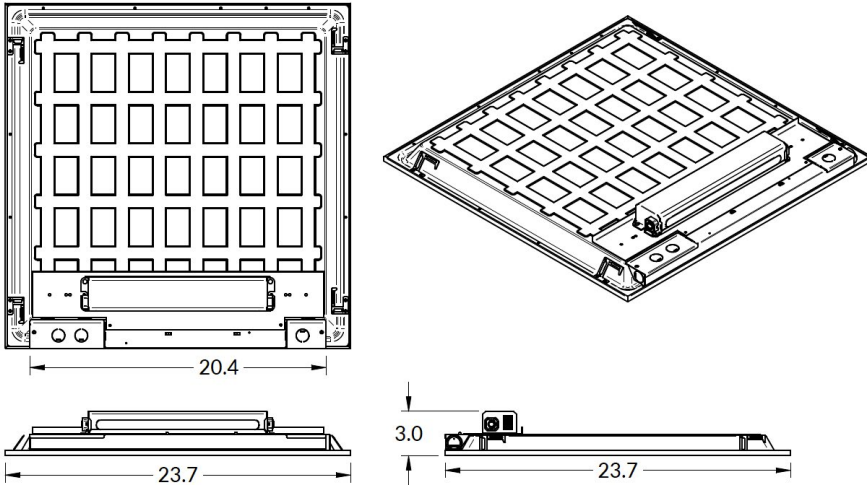
Ceiling opening is 24.25" x 24.25"



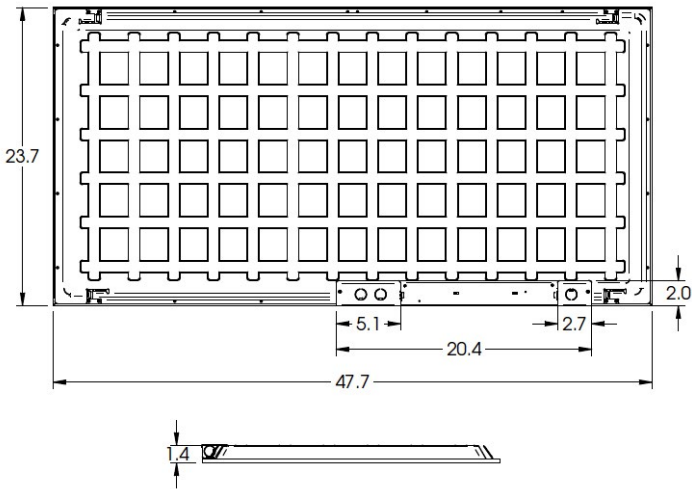
Back-Lit Flat Panel

LINE DRAWINGS

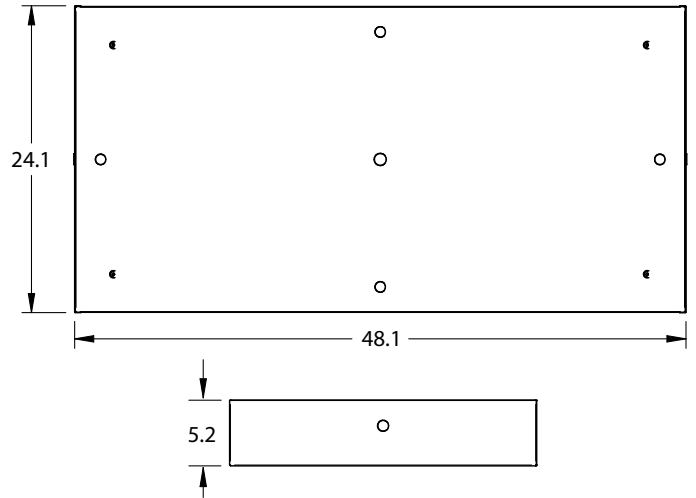
2x2 Dimensions with EM



2x4 Dimensions

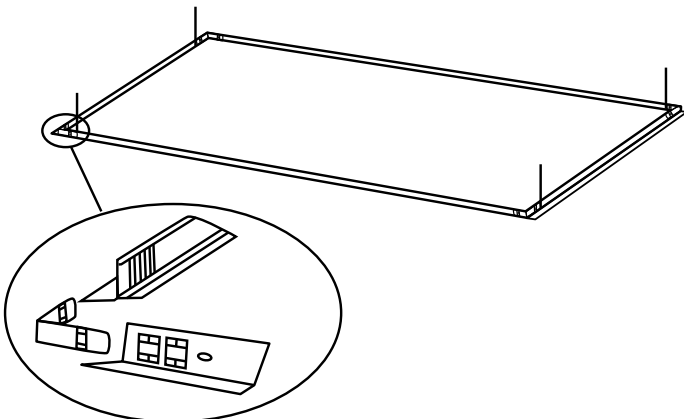


2x4 SEK Suspended Enclosure Dimensions

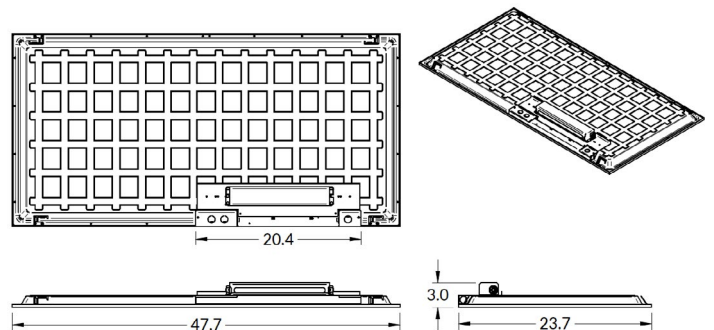


2x4 Flange Kit

Ceiling opening is 24.25" x 48.25"



2x4 Dimensions with EM

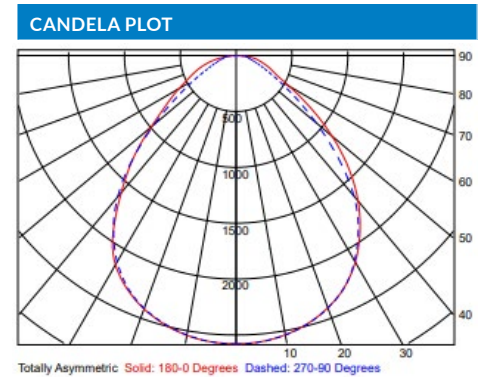


Back-Lit Flat Panel

PHOTOMETRIC DATA

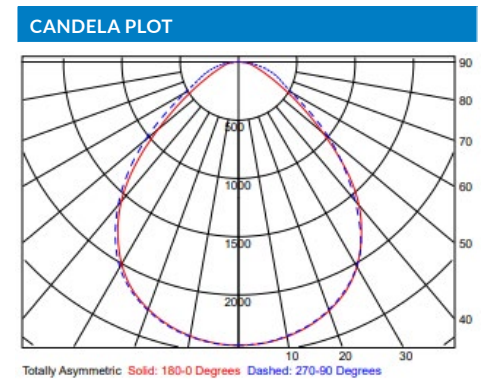
LUMINAIRE DATA	
Part Number	VPAN14-44L-U-40
Description	Selectable Flat Panel, 1x4, 4400lm, 4000K
Fixture Lumens (lm)	5,503 lm
Wattage (W)	38.4 W
Efficacy (lm/W)	143 lm/W
Mounting	Recessed

ZONAL LUMEN SUMMARY		
Zone	Lumens (lm)	% Fixture
0° - 40°	3,193	58%
0° - 60°	4,850	88%
0° - 90°	5,503	100%
90° - 180°	0	0%
0° - 180°	5,503	100%



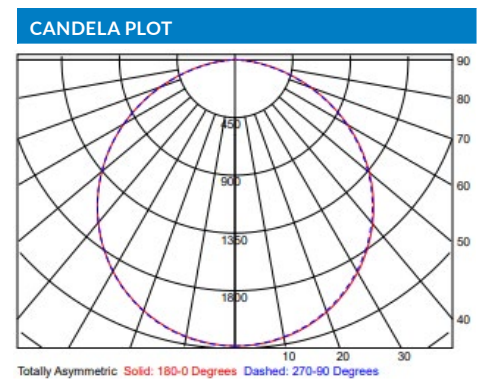
LUMINAIRE DATA	
Part Number	VPAN22-44L-U-40
Description	Selectable Flat Panel, 2x2, 4400lm, 4000K
Fixture Lumens (lm)	5,240 lm
Wattage (W)	37.9 W
Efficacy (lm/W)	138 lm/W
Mounting	Recessed

ZONAL LUMEN SUMMARY		
Zone	Lumens (lm)	% Fixture
0° - 40°	3,019	58%
0° - 60°	4,630	88%
0° - 90°	5,240	100%
90° - 180°	0	0%
0° - 180°	5,240	100%



LUMINAIRE DATA	
Part Number	VPAN24-55L-U-40
Description	Selectable Flat Panel, 2x4, 5500lm, 4000K
Fixture Lumens (lm)	6,465 lm
Wattage (W)	47.8 W
Efficacy (lm/W)	135 lm/W
Mounting	Recessed

ZONAL LUMEN SUMMARY		
Zone	Lumens (lm)	% Fixture
0° - 40°	2,861	44%
0° - 60°	5,091	79%
0° - 90°	6,465	100%
90° - 180°	0	0%
0° - 180°	6,465	100%



LUMINAIRE DATA	
Part Number	VPAN24-80L-U-40
Description	Selectable Flat Panel, 2x4, 8000lm, 4000K
Fixture Lumens (lm)	7,914 lm
Wattage (W)	55.9 W
Efficacy (lm/W)	142 lm/W
Mounting	Recessed

ZONAL LUMEN SUMMARY		
Zone	Lumens (lm)	% Fixture
0° - 40°	3,503	44%
0° - 60°	6,230	79%
0° - 90°	7,914	100%
90° - 180°	0	0%
0° - 180°	7,914	100%

